

# Request for Bids Goods

(One-Envelope Bidding Process)

**Procurement & Installation of Solar Systems for  
Strengthening of GPUs Development i.e. Tube well etc.**

**RFB No:** PK-NDRMF- 326102-GO-RFB / KP AGRI

**Project:** Climate Resilience through Horticultural Interventions in Khyber  
Pakhtunkhwa

**Purchaser:** Agriculture Department, Government of Khyber Pakhtunkhwa,

**Country:** Pakistan

**Issued on:** 7<sup>th</sup> December, 2023

## Table of Contents

<b>PART 1 – Bidding Procedures .....</b>	<b>3</b>
Section I - Instructions to Bidders .....	5
Section II - Bid Data Sheet (BDS).....	35
Section III - Evaluation and Qualification Criteria.....	41
Section IV - Bidding Forms.....	44
Section V - Eligible Countries.....	57
Section VI - Fraud and Corruption .....	59
<b>PART 2 – Supply Requirements .....</b>	<b>61</b>
Section VII - Schedule of Requirements .....	62
<b>PART 3 - Contract.....</b>	<b>73</b>
Section VIII - General Conditions of Contract.....	74
Section IX - Special Conditions of Contract .....	97
Section X - Contract Forms .....	103

## **PART 1 – Bidding Procedures**



# Section I - Instructions to Bidders

## Contents

<b>A. General .....</b>	<b>7</b>
1. Scope of Bid .....	7
2. Source of Funds .....	7
3. Fraud and Corruption.....	8
4. Eligible Bidders .....	8
5. Eligible Goods and Related Services.....	11
<b>B. Contents of Request for Bids Document.....</b>	<b>11</b>
6. Sections of Bidding Document.....	11
7. Clarification of Bidding Document .....	12
8. Amendment of Bidding Document.....	12
<b>C. Preparation of Bids.....</b>	<b>13</b>
9. Cost of Bidding.....	13
10. Language of Bid .....	13
11. Documents Comprising the Bid.....	13
12. Letter of Bid and Price Schedules .....	14
13. Alternative Bids .....	14
14. Bid Prices and Discounts .....	14
15. Currencies of Bid and Payment .....	16
16. Documents Establishing the Eligibility and Conformity of the Goods and Related Services.....	17
17. Documents Establishing the Eligibility and Qualifications of the Bidder.....	17
18. Period of Validity of Bids.....	18
19. Bid Security .....	19
20. Format and Signing of Bid .....	20
<b>D. Submission and Opening of Bids.....</b>	<b>22</b>
21. Sealing and Marking of Bids .....	22
22. Deadline for Submission of Bids.....	22
23. Late Bids.....	23
24. Withdrawal, Substitution, and Modification of Bids.....	23
25. Bid Opening.....	23
<b>E. Evaluation and Comparison of Bids .....</b>	<b>25</b>
26. Confidentiality .....	25
27. Clarification of Bids .....	25
28. Deviations, Reservations, and Omissions.....	25
29. Determination of Responsiveness.....	26

30.	Nonconformities, Errors and Omissions .....	26
31.	Correction of Arithmetical Errors.....	27
32.	Conversion to Single Currency.....	27
33.	Margin of Preference .....	27
34.	Evaluation of Bids .....	28
35.	Comparison of Bids .....	29
36.	Abnormally Low Bids .....	29
37.	Qualification of the Bidder .....	30
38.	Purchaser’s Right to Accept Any Bid, and to Reject Any or All Bids.....	30
39.	Standstill Period.....	30
40.	Notification of Intention to Award .....	31
<b>F. Award of Contract .....</b>		<b>31</b>
41.	Award Criteria .....	31
42.	Purchaser’s Right to Vary Quantities at Time of Award.....	31
43.	Notification of Award.....	31
44.	Debriefing by the Purchaser .....	32
45.	Signing of Contract.....	33
46.	Performance Security.....	34
47.	Procurement Related Complaint.....	34

## Section I. Instructions to Bidders

### A. General

1. **Scope of Bid**
  - 1.1 In connection with the Specific Procurement Notice, Request for Bids (RFB), specified **in the Bid Data Sheet (BDS)**, the Purchaser, as specified **in the BDS**, issues this bidding document for the supply of Goods and, if applicable, any Related Services incidental thereto, as specified in Section VII, Schedule of Requirements. The name, identification and number of lots (contracts) of this RFB are **specified in the BDS**.
  - 1.2 Throughout this bidding document:
    - (a) the term “in writing” means communicated in written form (e.g. by mail, e-mail, fax, including if **specified in the BDS**, distributed or received through the electronic-procurement system used by the Purchaser) with proof of receipt.
    - (b) if the context so requires, “singular” means “plural” and vice versa; and
    - (c) “Day” means calendar day, unless otherwise specified as “Business Day”. A Business Day is any day that is an official working day of the Borrower. It excludes the Borrower’s official public holidays.
2. **Source of Funds**
  - 2.1 The Borrower or Recipient (hereinafter called “Borrower”) **specified in the BDS** has applied for or received financing (hereinafter called “funds”) from the International Bank for Reconstruction and Development or the International Development Association (hereinafter called “the Bank”) in an amount **specified in the BDS**, toward the project named **in the BDS**. The Borrower intends to apply a portion of the funds to eligible payments under the contract for which this bidding document is issued.
  - 2.2 Payment by the Bank will be made only at the request of the Borrower and upon approval by the Bank in accordance with the terms and conditions of the Loan (or other financing) Agreement. The Loan (or other financing) Agreement prohibits a withdrawal from the Loan account for the purpose of any payment to persons or entities, or for any import of goods, if such payment or import is prohibited by

decision of the United Nations Security Council taken under Chapter VII of the Charter of the United Nations. No party other than the Borrower shall derive any rights from the Loan (or other financing) Agreement or have any claim to the proceeds of the Loan (or other financing).

### **3. Fraud and Corruption**

3.1 The Bank requires compliance with the Bank's Anti-Corruption Guidelines and its prevailing sanctions policies and procedures as set forth in the WBG's Sanctions Framework, as set forth in Section VI.

3.2 In further pursuance of this policy, Bidders shall permit and shall cause their agents (where declared or not), subcontractors, sub consultants, service providers, suppliers, and their personnel, to permit the Bank to inspect all accounts, records and other documents relating to any initial selection process, prequalification process, bid submission, proposal submission, and contract performance (in the case of award), and to have them audited by auditors appointed by the Bank.

### **4. Eligible Bidders**

4.1 A Bidder may be a firm that is a private entity, a state-owned enterprise or institution subject to ITB 4.6, or any combination of such entities in the form of a joint venture (JV) under an existing agreement or with the intent to enter into such an agreement supported by a letter of intent. In the case of a joint venture, all members shall be jointly and severally liable for the execution of the entire Contract in accordance with the Contract terms. The JV shall nominate a Representative who shall have the authority to conduct all business for and on behalf of any and all the members of the JV during the Bidding process and, in the event the JV is awarded the Contract, during contract execution. Unless specified **in the BDS**, there is no limit on the number of members in a JV.

4.2 A Bidder shall not have a conflict of interest. Any Bidder found to have a conflict of interest shall be disqualified. A Bidder may be considered to have a conflict of interest for the purpose of this Bidding process, if the Bidder:

- (a) directly or indirectly controls, is controlled by or is under common control with another Bidder; or
- (b) receives or has received any direct or indirect subsidy from another Bidder; or
- (c) has the same legal representative as another Bidder; or



- (d) has a relationship with another Bidder, directly or through common third parties, that puts it in a position to influence the Bid of another Bidder, or influence the decisions of the Purchaser regarding this Bidding process; or
  - (e) or any of its affiliates participated as a consultant in the preparation of the design or technical specifications of the works that are the subject of the Bid; or
  - (f) or any of its affiliates has been hired (or is proposed to be hired) by the Purchaser or Borrower for the Contract implementation; or
  - (g) would be providing goods, works, or non-consulting services resulting from or directly related to consulting services for the preparation or implementation of the project specified in the BDS ITB 2.1 that it provided or were provided by any affiliate that directly or indirectly controls, is controlled by, or is under common control with that firm; or
  - (h) has a close business or family relationship with a professional staff of the Borrower (or of the project implementing agency, or of a recipient of a part of the loan) who: (i) are directly or indirectly involved in the preparation of the bidding document or specifications of the Contract, and/or the Bid evaluation process of such Contract; or (ii) would be involved in the implementation or supervision of such Contract unless the conflict stemming from such relationship has been resolved in a manner acceptable to the Bank throughout the Bidding process and execution of the Contract.
- 4.3 A firm that is a Bidder (either individually or as a JV member) shall not participate in more than one Bid, except for permitted alternative Bids. This includes participation as a subcontractor. Such participation shall result in the disqualification of all Bids in which the firm is involved. A firm that is not a Bidder or a JV member, may participate as a subcontractor in more than one Bid.
- 4.4 A Bidder may have the nationality of any country, subject to the restrictions pursuant to ITB 4.8. A Bidder shall be deemed to have the nationality of a country if the Bidder is constituted, incorporated or registered in and operates in conformity with the provisions of the laws of that country, as evidenced by its articles of incorporation (or equivalent documents of

constitution or association) and its registration documents, as the case may be. This criterion also shall apply to the determination of the nationality of proposed subcontractors or subconsultants for any part of the Contract including related Services.

- 4.5 A Bidder that has been sanctioned by the Bank, pursuant to the Bank's Anti-Corruption Guidelines, in accordance with its prevailing sanctions policies and procedures as set forth in the WBG's Sanctions Framework as described in Section VI paragraph 2.2 d., shall be ineligible to be prequalified for, initially selected for, bid for, propose for, or be awarded a Bank-financed contract or benefit from a Bank-financed contract, financially or otherwise, during such period of time as the Bank shall have determined. The list of debarred firms and individuals is available at the electronic address specified in the BDS.
- 4.6 Bidders that are state-owned enterprises or institutions in the Purchaser's Country may be eligible to compete and be awarded a Contract(s) only if they can establish, in a manner acceptable to the Bank, that they (i) are legally and financially autonomous (ii) operate under commercial law, and (iii) are not under supervision of the Purchaser.
- 4.7 A Bidder shall not be under suspension from Bidding by the Purchaser as the result of the operation of a Bid-Securing Declaration or Proposal-Securing Declaration.
- 4.8 Firms and individuals may be ineligible if so indicated in Section V and (a) as a matter of law or official regulations, the Borrower's country prohibits commercial relations with that country, provided that the Bank is satisfied that such exclusion does not preclude effective competition for the supply of goods or the contracting of works or services required; or (b) by an act of compliance with a decision of the United Nations Security Council taken under Chapter VII of the Charter of the United Nations, the Borrower's country prohibits any import of goods or contracting of works or services from that country, or any payments to any country, person, or entity in that country.
- 4.9 A Bidder shall provide such documentary evidence of eligibility satisfactory to the Purchaser, as the Purchaser shall reasonably request.
- 4.10 A firm that is under a sanction of debarment by the Borrower from being awarded a contract is eligible to participate in this

procurement, unless the Bank, at the Borrower's request, is satisfied that the debarment;

(a) relates to fraud or corruption; and

(b) followed a judicial or administrative proceeding that afforded the firm adequate due process.

**5. Eligible Goods and Related Services**

5.1 All the Goods and Related Services to be supplied under the Contract and financed by the Bank may have their origin in any country in accordance with Section V, Eligible Countries.

5.2 For purposes of this ITB, the term "goods" includes commodities, raw material, machinery, equipment, and industrial plants; and "related services" includes services such as insurance, installation, training, and initial maintenance.

5.3 The term "origin" means the country where the goods have been mined, grown, cultivated, produced, manufactured or processed; or, through manufacture, processing, or assembly, another commercially recognized article results that differs substantially in its basic characteristics from its components.

**B. Contents of Request for Bids Document**

**6. Sections of Bidding Document**

6.1 The bidding document consist of Parts 1, 2, and 3, which include all the sections indicated below, and should be read in conjunction with any Addenda issued in accordance with ITB 8.

**PART 1 Bidding Procedures**

- Section I - Instructions to Bidders (ITB)
- Section II - Bidding Data Sheet (BDS)
- Section III - Evaluation and Qualification Criteria
- Section IV - Bidding Forms
- Section V - Eligible Countries
- Section VI - Fraud and Corruption

**PART 2 Supply Requirements**

- Section VII - Schedule of Requirements

### **PART 3 Contract**

- Section VIII - General Conditions of Contract (GCC)
- Section IX - Special Conditions of Contract (SCC)
- Section X - Contract Forms

6.2 The Specific Procurement Notice, Request for Bids (RFB), issued by the Purchaser is not part of this bidding document.

6.3 Unless obtained directly from the Purchaser, the Purchaser is not responsible for the completeness of the document, responses to requests for clarification, the Minutes of the pre-Bid meeting (if any), or Addenda to the bidding document in accordance with ITB 7.1. In case of any contradiction, documents obtained directly from the Purchaser shall prevail.

6.4 The Bidder is expected to examine all instructions, forms, terms, and specifications in the bidding document and to furnish with its Bid all information or documentation as is required by the bidding document.

#### **7. Clarification of Bidding Document**

7.1 A Bidder requiring any clarification will attend the Pre-Bid meeting as mentioned in **ITB 7.1**. The Purchaser shall forward copies of its response to all Bidders who have acquired the bidding document, including a description of the inquiry but without identifying its source. If so specified **in the BDS**, the Purchaser shall also promptly publish its response at the web page identified **in the BDS**.

#### **8. Amendment of Bidding Document**

8.1 At any time prior to the deadline for submission of Bids, the Purchaser may amend the bidding document by issuing addenda.

8.2 Any addendum issued shall be part of the bidding document and shall be communicated in writing to all who have obtained the bidding document from the Purchaser in accordance with ITB 6.3. The Purchaser shall also promptly publish the addendum on the Purchaser's web page in accordance with ITB 7.1.

8.3 To give prospective Bidders reasonable time in which to take an addendum into account in preparing their Bids, the Purchaser may, at its discretion, extend the deadline for the submission of Bids, pursuant to ITB 22.2.

## C. Preparation of Bids

- 9. Cost of Bidding** 9.1 The Bidder shall bear all costs associated with the preparation and submission of its Bid, and the Purchaser shall not be responsible or liable for those costs, regardless of the conduct or outcome of the Bidding process.
- 10. Language of Bid** 10.1 The Bid, as well as all correspondence and documents relating to the Bid exchanged by the Bidder and the Purchaser, shall be written in the language specified **in the BDS**. Supporting documents and printed literature that are part of the Bid may be in another language provided they are accompanied by an accurate translation of the relevant passages into the language specified **in the BDS**, in which case, for purposes of interpretation of the Bid, such translation shall govern.
- 11. Documents Comprising the Bid** 11.1 The Bid shall comprise the following:
- (a) **Letter of Bid** prepared in accordance with ITB 12;
  - (b) **Price Schedules**: completed in accordance with ITB 12 and ITB 14;
  - (c) **Bid-Securing Declaration**, in accordance with ITB 19.1;
  - (d) **Alternative Bid**: if permissible, in accordance with ITB 13;
  - (e) **Authorization**: written confirmation authorizing the signatory of the Bid to commit the Bidder, in accordance with ITB 20.3;
  - (f) **Qualifications**: documentary evidence in accordance with ITB 17 establishing the Bidder's qualifications to perform the Contract if its Bid is accepted;
  - (g) **Bidder's Eligibility**: documentary evidence in accordance with ITB 17 establishing the Bidder's eligibility to bid;
  - (h) **Eligibility of Goods and Related Services**: documentary evidence in accordance with ITB 16, establishing the eligibility of the Goods and Related Services to be supplied by the Bidder;
  - (i) **Conformity**: documentary evidence in accordance with ITB 16 and 30, that the Goods and Related Services conform to the bidding document; and

- (j) any other document required **in the BDS**.
- 11.2 In addition to the requirements under ITB 11.1, Bids submitted by Firms/Companies should submit additional supporting documents to fulfill the requirement of qualification in Bids.
- 11.3 The Bidder shall furnish in the Letter of Bid information on commissions and gratuities, if any, paid or to be paid to agents or any other party relating to this Bid.
- 12. Letter of Bid and Price Schedules**
- 12.1. The Letter of Bid and Price Schedules shall be prepared using the relevant forms furnished in Section IV, Bidding Forms. The forms must be completed without any alteration to the text, and no substitutes shall be accepted except as provided under ITB 20.3. All blank spaces shall be filled in with the information requested.
- 13. Alternative Bids**
- 13.1. Unless otherwise specified **in the BDS**, alternative Bids shall not be considered.
- 14. Bid Prices and Discounts**
- 14.1 The prices and discounts quoted by the Bidder in the Letter of Bid and in the Price Schedules shall conform to the requirements specified below.
- 14.2 All lots (contracts) and items must be listed and priced separately in the Price Schedules.
- 14.3 The price to be quoted in the Letter of Bid in accordance with ITB 12.1 shall be the total price of the Bid, excluding any discounts offered.
- 14.4 The Bidder shall quote any discounts and indicate the methodology for their application in the Letter of Bid, in accordance with ITB 12.1.
- 14.5 Prices quoted by the Bidder shall be fixed during the Bidder's performance of the Contract and not subject to variation on any account, unless otherwise specified **in the BDS**. A Bid submitted with an adjustable price quotation shall be treated as nonresponsive and shall be rejected, pursuant to ITB 29. However, if in accordance with **the BDS**, prices quoted by the Bidder shall be subject to adjustment during the performance of the Contract, a Bid submitted with a fixed price quotation shall not be rejected, but the price adjustment shall be treated as zero.
- 14.6 If so specified in ITB 1.1, Bids are being invited for individual lots (contracts) or for any combination of lots (packages). Unless otherwise specified **in the BDS**, prices quoted shall correspond to 100 % of the items specified for

each lot and to 100% of the quantities specified for each item of a lot. Bidders wishing to offer discounts for the award of more than one Contract shall specify in their Bid the price reductions applicable to each package, or alternatively, to individual Contracts within the package. Discounts shall be submitted in accordance with ITB 14.4 provided the Bids for all lots (contracts) are opened at the same time.

**14.7** The terms EXW, CIP, and other similar terms shall be governed by the rules prescribed in the current edition of Incoterms, published by the International Chamber of Commerce, as specified **in the BDS**.

14.8 Prices shall be quoted as specified in each Price Schedule included in Section IV, Bidding Forms. The disaggregation of price components is required solely for the purpose of facilitating the comparison of Bids by the Purchaser. This shall not in any way limit the Purchaser's right to contract on any of the terms offered. In quoting prices, the Bidder shall be free to use transportation through carriers registered in any eligible country, in accordance with Section V, Eligible Countries. Similarly, the Bidder may obtain insurance services from any eligible country in accordance with Section V, Eligible Countries. Prices shall be entered in the following manner:

- (a) For Goods manufactured in the Purchaser's Country:
  - (i) the price of the Goods quoted EXW (ex-works, ex-factory, ex warehouse, ex showroom, or off-the-shelf, as applicable), including all customs duties and sales and other taxes already paid or payable on the components and raw material used in the manufacture or assembly of the Goods;
  - (ii) any Purchaser's Country sales tax and other taxes which will be payable on the Goods if the Contract is awarded to the Bidder; and
  - (iii) the price for inland transportation, insurance, and other local services required to convey the Goods to their final destination (Project Site) specified in the BDS.**
- (b) For Goods manufactured outside the Purchaser's Country, to be imported:

- (i) the price of the Goods, quoted CIP named place of destination, in the Purchaser's Country, as specified **in the BDS**;
  - (ii) the price for inland transportation, insurance, and other local services required to convey the Goods from the named place of destination to their final destination (Project Site) specified **in the BDS**;
- (c) For Goods manufactured outside the Purchaser's Country, already imported:
- (i) the price of the Goods, including the original import value of the Goods; plus any mark-up (or rebate); plus any other related local cost, and custom duties and other import taxes already paid or to be paid on the Goods already imported;
  - (ii) the custom duties and other import taxes already paid (need to be supported with documentary evidence) or to be paid on the Goods already imported;
  - (iii) the price of the Goods, obtained as the difference between (i) and (ii) above;
  - (iv) any Purchaser's Country sales and other taxes which will be payable on the Goods if the Contract is awarded to the Bidder; and
  - (v) the price for inland transportation, insurance, and other local services required to convey the Goods from the named place of destination to their final destination (Project Site) specified **in the BDS**.
- (d) for Related Services, other than inland transportation and other services required to convey the Goods to their final destination, whenever such Related Services are specified in the Schedule of Requirements, the price of each item comprising the Related Services (inclusive of any applicable taxes).

## 15. Currencies of Bid and Payment

**15.1** The currency(ies) of the Bid and the currency(ies) of payments shall be the same. The Bidder shall quote in the currency of the Purchaser's Country the portion of the Bid price that corresponds to expenditures incurred in the currency of the Purchaser's Country, unless otherwise specified **in the BDS**.

**15.2** The Bidder may express the Bid price in any currency. If the Bidder wishes to be paid in a combination of amounts in different currencies, it may quote its price accordingly but



shall use no more than three foreign currencies in addition to the currency of the Purchaser's Country.

**16. Documents  
Establishing the  
Eligibility and  
Conformity of the  
Goods and  
Related Services**

16.1 To establish the eligibility of the Goods and Related Services in accordance with ITB 5, Bidders shall complete the country of origin declarations in the Price Schedule Forms, included in Section IV, Bidding Forms.

16.2 To establish the conformity of the Goods and Related Services to the bidding document, the Bidder shall furnish as part of its Bid the documentary evidence that the Goods conform to the technical specifications and standards specified in Section VII, Schedule of Requirements.

16.3 The documentary evidence may be in the form of literature, drawings or data, and shall consist of a detailed item by item description of the essential technical and performance characteristics of the Goods and Related Services, demonstrating substantial responsiveness of the Goods and Related Services to the technical specification, and if applicable, a statement of deviations and exceptions to the provisions of the Section VII, Schedule of Requirements.

16.4 The Bidder shall also furnish a list giving full particulars, including available sources and current prices of spare parts, special tools, etc., necessary for the proper and continuing functioning of the Goods during the period **specified in the BDS** following commencement of the use of the goods by the Purchaser.

16.5 Standards for workmanship, process, material, and equipment, as well as references to brand names or catalogue numbers specified by the Purchaser in the Schedule of Requirements, are intended to be descriptive only and not restrictive. The Bidder may offer other standards of quality, brand names, and/or catalogue numbers, provided that it demonstrates, to the Purchaser's satisfaction, that the substitutions ensure substantial equivalence or are superior to those specified in the Section VII, Schedule of Requirements.

**17. Documents  
Establishing the  
Eligibility and  
Qualifications of  
the Bidder**

17.1 To establish Bidder's eligibility in accordance with ITB 4, Bidders shall complete the Letter of Bid, included in Section IV, Bidding Forms.

17.2 The documentary evidence of the Bidder's qualifications to perform the Contract if its Bid is accepted shall establish to the Purchaser's satisfaction:

- (a) that, if required **in the BDS**, a Bidder that does not manufacture or produce the Goods it offers to supply shall submit the Manufacturer's Authorization using the form included in Section IV, Bidding Forms to demonstrate that it has been duly authorized by the manufacturer or producer of the Goods to supply these Goods in the Purchaser's Country;
- (b) that, if required **in the BDS**, in case of a Bidder not doing business within the Purchaser's Country, the Bidder is or will be (if awarded the Contract) represented by an Agent in the country equipped and able to carry out the Supplier's maintenance, repair and spare parts-stocking obligations prescribed in the Conditions of Contract and/or Technical Specifications; and
- (c) that the Bidder meets each of the qualification criterion specified in Section III, Evaluation and Qualification Criteria.

**18. Period of Validity of Bids**

- 18.1. Bids shall remain valid for the Bid Validity period specified **in the BDS**. The Bid Validity period starts from the date fixed for the Bid submission deadline (as prescribed by the Purchaser in accordance with ITB 22.1). A Bid valid for a shorter period shall be rejected by the Purchaser as nonresponsive.
- 18.2. In exceptional circumstances, prior to the expiration of the Bid validity period, the Purchaser may request Bidders to extend the period of validity of their Bids. The request and the responses shall be made in writing. If a Bid Security is requested in accordance with ITB 19, it shall also be extended for a corresponding period. A Bidder may refuse the request without forfeiting its Bid Security. A Bidder granting the request shall not be required or permitted to modify its Bid, except as provided in ITB 18.3.
- 18.3. If the award is delayed by a period exceeding fifty-six (56) days beyond the expiry of the initial Bid validity period, the Contract price shall be determined as follows:
- (a) in the case of fixed price contracts, the Contract price shall be the Bid price adjusted by the factor specified **in the BDS**;

- (b) in the case of adjustable price contracts, no adjustment shall be made;
- (c) in any case, Bid evaluation shall be based on the Bid price without taking into consideration the applicable correction from those indicated above.

## 19. Bid Security

- 19.1. The Bidder shall furnish as part of its Bid, either a Bid-Securing Declaration or a Bid Security, as specified **in the BDS**, in original form and, in the case of a Bid Security, in the amount and currency specified **in the BDS**.
- 19.2. A Bid Securing Declaration shall use the form included in Section IV, Bidding Forms.
- 19.3. If a Bid Security is specified pursuant to ITB 19.1, the Bid Security shall be a demand guarantee in any of the following forms at the Bidder's option:
- (a) an unconditional guarantee issued by a bank or non-bank financial institution (such as an insurance, bonding or surety company);
  - (b) an irrevocable letter of credit;
  - (c) a cashier's or certified check; or
  - (d) another security specified **in the BDS**,

from a reputable source, and an eligible country. If an unconditional guarantee is issued by a non-bank financial institution located outside the Purchaser's Country, the issuing non-bank financial institution shall have a correspondent financial institution located in the Purchaser's Country to make it enforceable unless the Purchaser has agreed in writing, prior to Bid submission, that a correspondent financial institution is not required. In the case of a bank guarantee, the Bid Security shall be submitted either using the Bid Security Form included in Section IV, Bidding Forms, or in another substantially similar format approved by the Purchaser prior to Bid submission. The Bid Security shall be valid for twenty-eight (28) days beyond the original validity period of the Bid, or beyond any period of extension if requested under ITB 18.2.

- 19.4. If a Bid Security is specified pursuant to ITB 19.1, any Bid not accompanied by a substantially responsive Bid Security shall be rejected by the Purchaser as non-responsive.

- 19.5. If a Bid Security is specified pursuant to ITB 19.1, the Bid Security of unsuccessful Bidders shall be returned as promptly as possible upon the successful Bidder's signing the Contract and furnishing the Performance Security pursuant to ITB 46.
- 19.6. The Bid Security of the successful Bidder shall be returned as promptly as possible once the successful Bidder has signed the Contract and furnished the required Performance Security.
- 19.7. The Bid Security may be forfeited or the Bid Securing Declaration executed:
- (a) if a Bidder withdraws its Bid during the period of Bid validity specified by the Bidder in the Letter of Bid, or any extension thereto provided by the Bidder; or
  - (b) if the successful Bidder fails to:
    - (i) sign the Contract in accordance with ITB 45; or
    - (ii) furnish a Performance Security in accordance with ITB 46.
- 19.8. The Bid Security or Bid- Securing Declaration of a JV must be in the name of the JV that submits the Bid. If the JV has not been legally constituted into a legally enforceable JV at the time of Bidding, the Bid Security or Bid-Securing Declaration shall be in the names of all future members as named in the letter of intent referred to in ITB 4.1 and ITB 11.2.
- 19.9. If a Bid Security is not required **in the BDS**, pursuant to ITB 19.1, and
- (a) if a Bidder withdraws its Bid during the period of Bid validity specified by the Bidder on the Letter of Bid; or
  - (b) if the successful Bidder fails to: sign the Contract in accordance with ITB 45; or furnish a performance security in accordance with ITB 46;
- the Borrower may, if provided for **in the BDS**, declare the Bidder ineligible to be awarded a contract by the Purchaser for a period of time as stated **in the BDS**.
- 20.1 The Bidder shall prepare one original of the documents comprising the Bid as described in ITB 11 and clearly mark

## 20. Format and Signing of Bid

it “ORIGINAL.” Alternative Bids, if permitted in accordance with ITB 13, shall be clearly marked “ALTERNATIVE.” In addition, the Bidder shall submit copies of the Bid, in the number **specified in the BDS** and clearly mark them “COPY.” In the event of any discrepancy between the original and the copies, the original shall prevail.

- 20.2 Bidders shall mark as “CONFIDENTIAL” information in their Bids which is confidential to their business. This may include proprietary information, trade secrets, or commercial or financially sensitive information.
- 20.3 The original and all copies of the Bid shall be typed or written in indelible ink and shall be signed by a person duly authorized to sign on behalf of the Bidder. This authorization shall consist of a written confirmation as specified **in the BDS** and shall be attached to the Bid. The name and position held by each person signing the authorization must be typed or printed below the signature. All pages of the Bid where entries or amendments have been made shall be signed or initialed by the person signing the Bid.
- 20.4 In case the Bidder is a JV, the Bid shall be signed by an authorized representative of the JV on behalf of the JV, and so as to be legally binding on all the members as evidenced by a power of attorney signed by their legally authorized representatives.
- 20.5 Any inter-lineation, erasures, or overwriting shall be valid only if they are signed or initialed by the person signing the Bid.

## D. Submission and Opening of Bids

### 21. Sealing and Marking of Bids

21.1. The Bidder shall deliver the Bid in a single, sealed envelope (one-envelope Bidding process). Within the single envelope the Bidder shall place the following separate, sealed envelopes:

- (a) in an envelope marked “ORIGINAL”, all documents comprising the Bid, as described in ITB 11; and
- (b) in an envelope marked “COPIES”, all required copies of the Bid; and,
- (c) if alternative Bids are permitted in accordance with ITB 13, and if relevant:
  - i. in an envelope marked “ORIGINAL -ALTERNATIVE”, the alternative Bid; and
  - ii. in the envelope marked “COPIES – ALTERNATIVE BID” all required copies of the alternative Bid.

21.2. The inner and outer envelopes, shall:

- (a) bear the name and address of the Bidder;
- (b) be addressed to the Purchaser in accordance with ITB 22.1;
- (c) bear the specific identification of this Bidding process indicated in ITB 1.1; and
- (d) bear a warning not to open before the time and date for Bid opening.

21.3 If all envelopes are not sealed and marked as required, the Purchaser will assume no responsibility for the misplacement or premature opening of the Bid.

### 22. Deadline for Submission of Bids

22.1. Bids must be received by the Purchaser at the address and no later than the date and time specified **in the BDS**. When so specified **in the BDS**, Bidders shall have the option of submitting their Bids electronically. Bidders submitting Bids electronically shall follow the electronic Bid submission procedures specified **in the BDS**.

22.2. The Purchaser may, at its discretion, extend the deadline for the submission of Bids by amending the bidding document in accordance with ITB 8, in which case all rights and obligations of the Purchaser and Bidders previously subject

to the deadline shall thereafter be subject to the deadline as extended.

- 23. Late Bids** 23.1. The Purchaser shall not consider any Bid that arrives after the deadline for submission of Bids, in accordance with ITB 22. Any Bid received by the Purchaser after the deadline for submission of Bids shall be declared late, rejected, and returned unopened to the Bidder.
- 24. Withdrawal, Substitution, and Modification of Bids** 24.1. A Bidder may withdraw, substitute, or modify its Bid after it has been submitted by sending a written notice, duly signed by an authorized representative, and shall include a copy of the authorization (the power of attorney) in accordance with ITB 20.3, (except that withdrawal notices do not require copies). The corresponding substitution or modification of the Bid must accompany the respective written notice. All notices must be:
- (a) prepared and submitted in accordance with ITB 20 and 21 (except that withdrawal notices do not require copies), and in addition, the respective envelopes shall be clearly marked “WITHDRAWAL,” “SUBSTITUTION,” or “MODIFICATION;” and
  - (b) received by the Purchaser prior to the deadline prescribed for submission of Bids, in accordance with ITB 22.
- 24.2. Bids requested to be withdrawn in accordance with ITB 24.1 shall be returned unopened to the Bidders.
- 24.3. No Bid may be withdrawn, substituted, or modified in the interval between the deadline for submission of Bids and the expiration of the period of Bid validity specified by the Bidder on the Letter of Bid or any extension thereof.
- 25. Bid Opening** 25.1. Except as in the cases specified in ITB 23 and ITB 24.2, the Purchaser shall, at the Bid opening, publicly open and read out all Bids received by the deadline at the date, time and place specified **in the BDS** in the presence of Bidders’ designated representatives and anyone who chooses to attend Any specific electronic Bid opening procedures required if electronic bidding is permitted in accordance with ITB 22.1, shall be as specified **in the BDS**.
- 25.2. First, envelopes marked “WITHDRAWAL” shall be opened and read out and the envelope with the corresponding Bid shall not be opened, but returned to the Bidder. If the withdrawal envelope does not contain a copy of the “power

of attorney” confirming the signature as a person duly authorized to sign on behalf of the Bidder, the corresponding Bid will be opened. No Bid withdrawal shall be permitted unless the corresponding withdrawal notice contains a valid authorization to request the withdrawal and is read out at Bid opening.

- 25.3. Next, envelopes marked “SUBSTITUTION” shall be opened and read out and exchanged with the corresponding Bid being substituted, and the substituted Bid shall not be opened, but returned to the Bidder. No Bid substitution shall be permitted unless the corresponding substitution notice contains a valid authorization to request the substitution and is read out at Bid opening.
- 25.4. Next, envelopes marked “MODIFICATION” shall be opened and read out with the corresponding Bid. No Bid modification shall be permitted unless the corresponding modification notice contains a valid authorization to request the modification and is read out at Bid opening.
- 25.5. Next, all remaining envelopes shall be opened one at a time, reading out: the name of the Bidder and whether there is a modification; the total Bid Prices, per lot (contract) if applicable, including any discounts and alternative Bids; the presence or absence of a Bid Security, if required; and any other details as the Purchaser may consider appropriate.
- 25.6. Only Bids, alternative Bids and discounts that are opened and read out at Bid opening shall be considered further in the evaluation. The Letter of Bid and the Price Schedules are to be initialed by representatives of the Purchaser attending Bid opening in the manner specified in the BDS.**
- 25.7. The Purchaser shall neither discuss the merits of any Bid nor reject any Bid (except for late Bids, in accordance with ITB 23.1).
- 25.8. The Purchaser shall prepare a record of the Bid opening that shall include, as a minimum:
  - (a) the name of the Bidder and whether there is a withdrawal, substitution, or modification;
  - (b) the Bid Price, per lot (contract) if applicable, including any discounts;
  - (c) any alternative Bids;



- (d) the presence or absence of a Bid Security or Bid-Securing Declaration, if one was required.

25.9. The Bidders' representatives who are present shall be requested to sign the record. The omission of a Bidder's signature on the record shall not invalidate the contents and effect of the record. A copy of the record shall be distributed to all Bidders.

## **E. Evaluation and Comparison of Bids**

### **26. Confidentiality**

26.1 Information relating to the evaluation of Bids and recommendation of contract award, shall not be disclosed to Bidders or any other persons not officially concerned with the Bidding process until the information on Intention to Award the Contract is transmitted to all Bidders in accordance with ITB 40.

26.2 Any effort by a Bidder to influence the Purchaser in the evaluation or contract award decisions may result in the rejection of its Bid.

26.3 Notwithstanding ITB 26.2, from the time of Bid opening to the time of Contract Award, if any Bidder wishes to contact the Purchaser on any matter related to the Bidding process, it should do so in writing.

### **27. Clarification of Bids**

27.1 To assist in the examination, evaluation, comparison of the Bids, and qualification of the Bidders, the Purchaser may, at its discretion, ask any Bidder for a clarification of its Bid. Any clarification submitted by a Bidder in respect to its Bid and that is not in response to a request by the Purchaser shall not be considered. The Purchaser's request for clarification and the response shall be in writing. No change, including any voluntary increase or decrease, in the prices or substance of the Bid shall be sought, offered, or permitted, except to confirm the correction of arithmetic errors discovered by the Purchaser in the Evaluation of the Bids, in accordance with ITB 31.

27.2 If a Bidder does not provide clarifications of its Bid by the date and time set in the Purchaser's request for clarification, its Bid may be rejected.

### **28. Deviations, Reservations, and Omissions**

28.1 During the evaluation of Bids, the following definitions apply:

- (a) “Deviation” is a departure from the requirements specified in the bidding document;
- (b) “Reservation” is the setting of limiting conditions or withholding from complete acceptance of the requirements specified in the bidding document; and
- (c) “Omission” is the failure to submit part or all of the information or documentation required in the bidding document.

**29. Determination of Responsiveness**

29.1 The Purchaser’s determination of a Bid’s responsiveness is to be based on the contents of the Bid itself, as defined in ITB 11.

29.2 A substantially responsive Bid is one that meets the requirements of the bidding document without material deviation, reservation, or omission. A material deviation, reservation, or omission is one that:

- (a) if accepted, would:
  - (i) affect in any substantial way the scope, quality, or performance of the Goods and Related Services specified in the Contract; or
  - (ii) limit in any substantial way, inconsistent with the bidding document, the Purchaser’s rights or the Bidder’s obligations under the Contract; or
- (b) if rectified, would unfairly affect the competitive position of other Bidders presenting substantially responsive Bids.

29.3 The Purchaser shall examine the technical aspects of the Bid submitted in accordance with ITB 16 and ITB 17, in particular, to confirm that all requirements of Section VII, Schedule of Requirements have been met without any material deviation or reservation, or omission.

29.4 If a Bid is not substantially responsive to the requirements of bidding document, it shall be rejected by the Purchaser and may not subsequently be made responsive by correction of the material deviation, reservation, or omission.

**30. Nonconformities, Errors and Omissions**

30.1 Provided that a Bid is substantially responsive, the Purchaser may waive any nonconformities in the Bid.

30.2 Provided that a Bid is substantially responsive, the Purchaser may request that the Bidder submit the necessary

information or documentation, within a reasonable period of time, to rectify nonmaterial nonconformities or omissions in the Bid related to documentation requirements. Such omission shall not be related to any aspect of the price of the Bid. Failure of the Bidder to comply with the request may result in the rejection of its Bid.

30.3 Provided that a Bid is substantially responsive, the Purchaser shall rectify quantifiable nonmaterial nonconformities related to the Bid Price. To this effect, the Bid Price shall be adjusted, for comparison purposes only, to reflect the price of a missing or non-conforming item or component in the manner specified **in the BDS.**

**31. Correction of  
Arithmetical  
Errors**

31.1 Provided that the Bid is substantially responsive, the Purchaser shall correct arithmetical errors on the following basis:

- (a) if there is a discrepancy between the unit price and the line-item total that is obtained by multiplying the unit price by the quantity, the unit price shall prevail and the line item total shall be corrected, unless in the opinion of the Purchaser there is an obvious misplacement of the decimal point in the unit price, in which case the line item total as quoted shall govern and the unit price shall be corrected;
- (b) if there is an error in a total corresponding to the addition or subtraction of subtotals, the subtotals shall prevail and the total shall be corrected; and
- (c) if there is a discrepancy between words and figures, the amount in words shall prevail, unless the amount expressed in words is related to an arithmetic error, in which case the amount in figures shall prevail subject to (a) and (b) above.

31.2 Bidders shall be requested to accept correction of arithmetical errors. Failure to accept the correction in accordance with ITB 31.1, shall result in the rejection of the Bid.

**32. Conversion to  
Single Currency**

32.1 For evaluation and comparison purposes, the currency(ies) of the Bid shall be converted in a single currency as specified **in the BDS.**

**33. Margin of  
Preference**

33.1 Unless otherwise specified **in the BDS**, a margin of preference shall not apply.

**34. Evaluation of Bids**

- 34.1 The Purchaser shall use the criteria and methodologies listed in this ITB and Section III, Evaluation and Qualification criteria. No other evaluation criteria or methodologies shall be permitted. By applying the criteria and methodologies, the Purchaser shall determine the Most Advantageous Bid. This is the Bid of the Bidder that meets the qualification criteria and whose Bid has been determined to be:
- (a) substantially responsive to the bidding document; and
  - (b) the lowest evaluated cost.
- 34.2 To evaluate a Bid, the Purchaser shall consider the following:
- (a) evaluation will be done for Items or Lots (contracts), as specified **in the BDS**; and the Bid Price as quoted in accordance with ITB 14;
  - (b) price adjustment for correction of arithmetic errors in accordance with ITB 31.1;
  - (c) price adjustment due to discounts offered in accordance with ITB 14.4;
  - (d) converting the amount resulting from applying (a) to (c) above, if relevant, to a single currency in accordance with ITB 32;
  - (e) price adjustment due to quantifiable nonmaterial nonconformities in accordance with ITB 30.3; and
  - (f) the additional evaluation factors are specified in Section III, Evaluation and Qualification Criteria.
- 34.3 The estimated effect of the price adjustment provisions of the Conditions of Contract, applied over the period of execution of the Contract, shall not be taken into account in Bid evaluation.
- 34.4 If this bidding document allows Bidders to quote separate prices for different lots (contracts), the methodology to determine the lowest evaluated cost of the lot (contract) combinations, including any discounts offered in the Letter of Bid, is specified in Section III, Evaluation and Qualification Criteria.
- 34.5 The Purchaser's evaluation of a Bid will exclude and not take into account:

- (a) in the case of Goods manufactured in the Purchaser's Country, sales and other similar taxes, which will be payable on the goods if a contract is awarded to the Bidder;
- (b) in the case of Goods manufactured outside the Purchaser's Country, already imported or to be imported, customs duties and other import taxes levied on the imported Good, sales and other similar taxes, which will be payable on the Goods if the contract is awarded to the Bidder;
- (c) any allowance for price adjustment during the period of execution of the contract, if provided in the Bid.

34.6 The Purchaser's evaluation of a Bid may require the consideration of other factors, in addition to the Bid Price quoted in accordance with ITB 14. These factors may be related to the characteristics, performance, and terms and conditions of purchase of the Goods and Related Services. The effect of the factors selected, if any, shall be expressed in monetary terms to facilitate comparison of Bids, unless otherwise specified **in the BDS** from amongst those set out in Section III, Evaluation and Qualification Criteria. The criteria and methodologies to be used shall be as specified in ITB 34.2(f).

### **35. Comparison of Bids**

35.1 The Purchaser shall compare the evaluated costs of all substantially responsive Bids established in accordance with ITB 34.2 to determine the Bid that has the lowest evaluated cost. The comparison shall be on the basis of CIP (place of final destination) prices for imported goods and EXW prices, plus cost of inland transportation and insurance to place of destination, for goods manufactured within the Borrower's country, together with prices for any required installation, training, commissioning and other services. The evaluation of prices shall not take into account custom duties and other taxes levied on imported goods quoted CIP and sales and similar taxes levied in connection with the sale or delivery of goods.

### **36. Abnormally Low Bids**

36.1 An Abnormally Low Bid is one where the Bid price, in combination with other constituent elements of the Bid, appears unreasonably low to the extent that the Bid price raises material concerns with the Purchaser as to the capability of the Bidder to perform the Contract for the offered Bid price.

36.2 In the event of identification of a potentially Abnormally Low Bid, the Purchaser shall seek written clarification from the Bidder, including a detailed price analyses of its Bid price in relation to the subject matter of the contract, scope, delivery schedule, allocation of risks and responsibilities and any other requirements of the bidding document.

36.3 After evaluation of the price analyses, in the event that the Purchaser determines that the Bidder has failed to demonstrate its capability to perform the contract for the offered Bid price, the Purchaser shall reject the Bid.

**37. Qualification of the Bidder**

37.1 The Purchaser shall determine, to its satisfaction, whether the eligible Bidder that is selected as having submitted the lowest evaluated cost and substantially responsive Bid, meets the qualifying criteria specified in Section III, Evaluation and Qualification Criteria.

37.2 The determination shall be based upon an examination of the documentary evidence of the Bidder's qualifications submitted by the Bidder, pursuant to ITB 17. The determination shall not take into consideration the qualifications of other firms such as the Bidder's subsidiaries, parent entities, affiliates, subcontractors (other than specialized subcontractors if permitted in the bidding document), or any other firm(s) different from the Bidder.

37.3 An affirmative determination shall be a prerequisite for award of the Contract to the Bidder. A negative determination shall result in disqualification of the Bid, in which event the Purchaser shall proceed to the Bidder who offers a substantially responsive Bid with the next lowest evaluated cost to make a similar determination of that Bidder's qualifications to perform satisfactorily.

**38. Purchaser's Right to Accept Any Bid, and to Reject Any or All Bids**

38.1 The Purchaser reserves the right to accept or reject any Bid, and to annul the Bidding process and reject all Bids at any time prior to Contract Award, without thereby incurring any liability to Bidders. In case of annulment, all Bids submitted and specifically, bid securities, shall be promptly returned to the Bidders.

**39. Standstill Period**

39.1 The Contract shall not be awarded earlier than the expiry of the Standstill Period. The Standstill Period shall be ten (10) Business Days unless extended in accordance with ITB 44. The Standstill Period commences the day after the date the Purchaser has transmitted to each Bidder the Notification of Intention to Award the Contract. Where only one Bid is

submitted, or if this contract is in response to an emergency situation recognized by the Bank, the Standstill Period shall not apply.

**40. Notification of Intention to Award**

40.1 The Purchaser shall send to each Bidder the Notification of Intention to Award the Contract to the successful Bidder. The Notification of Intention to Award shall contain, at a minimum, the following information:

- (a) the name and address of the Bidder submitting the successful Bid;
- (b) the Contract price of the successful Bid;
- (c) the names of all Bidders who submitted Bids, and their Bid prices as readout, and as evaluated;
- (d) a statement of the reason(s) the Bid (of the unsuccessful Bidder to whom the notification is addressed) was unsuccessful, unless the price information in c) above already reveals the reason;
- (e) the expiry date of the Standstill Period;
- (f) instructions on how to request a debriefing and/or submit a complaint during the standstill period.

**F. Award of Contract**

**41. Award Criteria**

41.1 Subject to ITB 38, the Purchaser shall award the Contract to the Bidder offering the Most Advantageous Bid. The Most Advantageous Bid is the Bid of the Bidder that meets the qualification criteria and whose Bid has been determined to be:

- (a) substantially responsive to the bidding document; and
- (b) the lowest evaluated cost.

**42. Purchaser's Right to Vary Quantities at Time of Award**

42.1 At the time the Contract is awarded, the Purchaser reserves the right to increase or decrease the quantity of Goods and Related Services originally specified in Section VII, Schedule of Requirements, provided this does not exceed the percentages specified **in the BDS**, and without any change in the unit prices or other terms and conditions of the Bid and the bidding document.

**43. Notification of Award**

43.1 Prior to the expiration of the Bid Validity Period and upon expiry of the Standstill Period, specified in ITB 39.1 or any extension thereof, and upon satisfactorily addressing any complaint that has been filed within the Standstill Period,

the Purchaser shall notify the successful Bidder, in writing, that its Bid has been accepted. The notification of award (hereinafter and in the Contract Forms called the “Letter of Acceptance”) shall specify the sum that the Purchaser will pay the Supplier in consideration of the execution of the Contract (hereinafter and in the Conditions of Contract and Contract Forms called “the Contract Price”).

43.2 Within ten (10) Business Days after the date of transmission of the Letter of Acceptance, the Purchaser shall publish the Contract Award Notice which shall contain, at a minimum, the following information:

- (a) name and address of the Purchaser;
- (b) name and reference number of the contract being awarded, and the selection method used;
- (c) names of all Bidders that submitted Bids, and their Bid prices as read out at Bid opening, and as evaluated;
- (d) names of all Bidders whose Bids were rejected either as nonresponsive or as not meeting qualification criteria, or were not evaluated, with the reasons therefor;
- (e) the name of the successful Bidder, the final total contract price, the contract duration and a summary of its scope; and
- (f) successful Bidder’s Beneficial Ownership Disclosure Form, if specified in BDS ITB 45.1.

43.3 The Contract Award Notice shall be published on the Purchaser’s website with free access if available, or in at least one newspaper of national circulation in the Purchaser’s Country, or in the official gazette. The Purchaser shall also publish the contract award notice in UNDB online.

43.4 Until a formal Contract is prepared and executed, the Letter of Acceptance shall constitute a binding Contract.

44.1 On receipt of the Purchaser’s Notification of Intention to Award referred to in ITB 40.1, an unsuccessful Bidder has three (3) Business Days to make a written request to the Purchaser for a debriefing. The Purchaser shall provide a

#### **44. Debriefing by the Purchaser**



debriefing to all unsuccessful Bidders whose request is received within this deadline.

- 44.2 Where a request for debriefing is received within the deadline, the Purchaser shall provide a debriefing within five (5) Business Days, unless the Purchaser decides, for justifiable reasons, to provide the debriefing outside this timeframe. In that case, the standstill period shall automatically be extended until five (5) Business Days after such debriefing is provided. If more than one debriefing is so delayed, the standstill period shall not end earlier than five (5) Business Days after the last debriefing takes place. The Purchaser shall promptly inform, by the quickest means available, all Bidders of the extended standstill period
- 44.3 Where a request for debriefing is received by the Purchaser later than the three (3)-Business Day deadline, the Purchaser should provide the debriefing as soon as practicable, and normally no later than fifteen (15) Business Days from the date of publication of Public Notice of Award of contract. Requests for debriefing received outside the three (3)-day deadline shall not lead to extension of the standstill period.
- 44.4 Debriefings of unsuccessful Bidders may be done in writing or verbally. The Bidders shall bear their own costs of attending such a debriefing meeting.

#### **45. Signing of Contract**

- 45.1 The Purchaser shall send to the successful Bidder the Letter of Acceptance including the Contract Agreement, and, if specified in the BDS, a request to submit the Beneficial Ownership Disclosure Form providing additional information on its beneficial ownership. The Beneficial Ownership Disclosure Form, if so requested, shall be submitted within eight (8) Business Days of receiving this request.
- 45.2 The successful Bidder shall sign, date and return to the Purchaser, the Contract Agreement within twenty-eight (28) days of its receipt.
- 45.3 Notwithstanding ITB 45.2 above, in case signing of the Contract Agreement is prevented by any export restrictions attributable to the Purchaser, to the country of the Purchaser, or to the use of the products/goods, systems or services to be supplied, where such export restrictions arise from trade regulations from a country supplying those products/goods, systems or services, the Bidder shall not be bound by its Bid,

always provided however, that the Bidder can demonstrate to the satisfaction of the Purchaser and of the Bank that signing of the Contact Agreement has not been prevented by any lack of diligence on the part of the Bidder in completing any formalities, including applying for permits, authorizations and licenses necessary for the export of the products/goods, systems or services under the terms of the Contract.

**46. Performance  
Security**

46.1 Within twenty-eight (28) days of the receipt of Letter of Acceptance from the Purchaser, the successful Bidder, if required, shall furnish the Performance Security in accordance with the GCC 18, using for that purpose the Performance Security Form included in Section X, Contract Forms, or another Form acceptable to the Purchaser. If the Performance Security furnished by the successful Bidder is in the form of a bond, it shall be issued by a bonding or insurance company that has been determined by the successful Bidder to be acceptable to the Purchaser. A foreign institution providing a bond shall have a correspondent financial institution located in the Purchaser's Country, unless the Purchaser has agreed in writing that a correspondent financial institution is not required.

46.2 Failure of the successful Bidder to submit the above-mentioned Performance Security or sign the Contract shall constitute sufficient grounds for the annulment of the award and forfeiture of the Bid Security. In that event the Purchaser may award the Contract to the Bidder offering the next Most Advantageous Bid.

**47. Procurement  
Related  
Complaint**

47.1 The procedures for making a Procurement-related Complaint are as specified in the BDS.

## Section II - Bid Data Sheet (BDS)

The following specific data for the goods to be procured shall complement, supplement, or amend the provisions in the Instructions to Bidders (ITB). Whenever there is a conflict, the provisions herein shall prevail over those in ITB.

ITB Reference	A. General
ITB 1.1	<p>The reference number of the Request for Bids (RFB) is: <b>PK-NDRMF-326102-GO-RFB</b></p> <p>The Purchaser is: <b>Agriculture Department, Government of Khyber Pakhtunkhwa</b></p> <p>The name of the RFB is: <b>Procurement &amp; Installation of Solar Systems for Strengthening of GPUs Development i.e. Tube well etc.</b></p>
ITB 1.2(a)	Communicated in written means by mail, e-mail, or fax.
ITB 2.1	<p>The Borrower is: National Disaster Risk Management Fund (NDRMF)</p> <p>Grant Implementation Agreement Amount: <b>PKRs. 2,899.672 million</b></p> <p>The name of the Project is: <i>Climate Resilience through Horticultural Interventions in Khyber Pakhtunkhwa</i></p>
ITB 4.1	Maximum number of members in the Joint Venture (JV) shall be: <b>02 (two)</b>
ITB 4.5	A list of debarred firms and individuals is available on the Bank's external website: <a href="http://www.worldbank.org/debarr">http://www.worldbank.org/debarr</a> .
	<b>B. Contents of Bidding Document</b>
ITB 7.1	<p>For <b><u>Clarification of Bid purposes</u></b> only, the Purchaser's address is:</p> <p><b>The Project Director,</b>  <i>Climate Resilience through Horticultural Interventions in Khyber Pakhtunkhwa</i>            Directorate General of Agriculture Extension, Agriculture Services Academy Campus, Opposite Islamia College, University Road, Peshawar. Khyber Pakhtunkhwa, Pakistan            Phone: +92-(0)91-9224 223,            Fax: +92-(0)91-9224 225            E-Mail: <a href="mailto:pmu.crthikp@gmail.com">pmu.crthikp@gmail.com</a></p>

	A Pre-Bid meeting will be held on <b>27<sup>th</sup> December, 2023, 1130, hours</b> for clarification of Bid Document
	<b>C. Preparation of Bids</b>
<b>ITB 10.1</b>	The language of the Bid is: <b>English</b>
<b>ITB 11.1 (j)</b>	<p>The Bidder shall submit the following additional documents:</p> <ol style="list-style-type: none"> <li>i. The bidder shall submit purchase order/contract/completion certificates of 03 supplies in last three (03) years in Solar systems/products etc.</li> <li>ii. The bidder shall have the relevant experience in supply &amp; installation of the required goods/items.</li> <li>iii. The bidder shall provide an organizational profile, mentioning the list of experts, logistics presence and supplier references.</li> <li>iv. The bidder must provide performance satisfactory certificates/report from the last supplies made in public sector.</li> <li>v. The bidder shall be registered with Pakistan Engineering Council (PEC).</li> <li>vi. The bidder shall provide copies of income tax and sales tax registration certificates.</li> <li>vii. The bidder shall be on active tax payer list.</li> <li>viii. The bidder will also provide the attested photocopy of CNIC of the owner or authorized person dealing with the Department. Page number on firm profile is mandatory.</li> <li>ix. The bidder shall submit an affidavit that bidder is not blacklisted by public or private organization/firms must not be debarred by the WBG</li> <li>x. The bidder shall submit an affidavit to provide qualitative and durable goods/materials/items (Judicial stamp paper Rs. 100/-) mentioning the working life of the offered product 25 years.</li> <li>xi. Company ownership affidavit (Judicial stamp paper Rs. 100/-)</li> <li>xii. The firm shall execute contract / agreement on Rs.100/- stamp paper with the Department to abide by all terms and conditions.</li> <li>xiii. Technical employees and its service, salary, and job agreement record.</li> <li>xiv. The Bidder must submit an affidavit on duly notarized stamp paper that the firm is not engaged in any litigations etc.</li> <li>xv. In case of Joint venture, JV agreement must be submitted before signing of the contract on the prescribed format.</li> <li>xvi. The bids must be according to the specification mentioned in RFB (Section VII - Schedule of Requirements).</li> <li>xvii. The firm shall execute contract/agreement on Rs.100/- stamp paper with Department that each unit/package (set) as per technical specification of Procurement of Solar System/Products will be supplied, installed and commissioned (need basis visits) against 25 year warranty by firm on exact location of each GPU/District of Khyber Pakhtunkhwa.</li> </ol>
<b>ITB 13.1</b>	Alternative Bids <b><i>shall not be</i></b> considered.
<b>ITB 14.5</b>	The prices quoted by the Bidder <b>shall not</b> be subject to adjustment during the performance of the Contract.

<b>ITB 14.7</b>	The Incoterms edition is: DDP (Delivery Duty Paid) 2022.
<b>ITB 14.8 (b)(i) and (c)(v)</b>	<p>Place of destination: <b>Delivered Duty Paid (DDP) at Khyber Pakhtunkhwa.</b> Quantity list is attached as Section VII</p> <p>There are total six (6) number of Germplasm Units (GPUs) at Agriculture Research Institutes/ Stations of Khyber Pakhtunkhwa and complete package (Set) will be supplied, installed and commissioned (need basis visits) against 25 year warranty by firm on exact location at each GPU in the following potential Districts;</p> <ol style="list-style-type: none"> <li>1. GPU at Sherkhana, Malakand sub-unit of ARI Tarnab</li> <li>2. GPU at Biakan, Matta, upper Swat sub unit of ARI, Swat</li> <li>3. GPU at Kalam Summer Station Kas, Nazim Abad, sub unit of ARI Swat</li> <li>4. GPU at Rukhzandani, Kotla Saydan sub unit of ARI, DIKhan</li> <li>5. GPU at pannian Haripur sub unit of HARS Abbottabad</li> <li>6. GPU at Jabba Mansehra sub unit of HARS Abbottabad</li> </ol>
<b>ITB 15.1</b>	Prices shall be quoted in <b>PKR</b> .
<b>ITB 16.4</b>	Period of time the Goods are expected to be functioning (for the purpose of spare parts): 25 years
<b>ITB 17.2 (a)</b>	Manufacturer's authorization is: <b>Required</b>
<b>ITB 17.2 (b)</b>	After sales service is: <b>When and where required</b>
<b>ITB 18.1</b>	The Bid validity period shall be <b>90</b> business days after submission date.
<b>ITB 18.3 (a)</b>	N/A
<b>ITB 19.1</b>	Bid Security @ 2% of the bid price in the form of CDR/Bank Guarantee
<b>ITB 19.3 (d)</b>	Other types of acceptable securities: <b>None</b>
<b>ITB 19.9</b>	N/A
<b>ITB 20.1</b>	In addition to the original of the Bid, the number of copies is: <b>two Copies</b>

<b>ITB 20.3</b>	The written confirmation of authorization to sign on behalf of the Bidder shall consist of <i>Authority Letter signed by the Director or owner of the Company/Firm</i>
<b>D. Submission and Opening of Bids</b>	
<b>ITB 22.1</b>	<p>For <b><u>Bid submission purposes</u></b> only, the Purchaser’s address is:</p> <p>Attention: <b>The Project Director,</b>  <b><i>Climate Resilience through Horticultural Interventions in Khyber Pakhtunkhwa</i></b>  Directorate General Agriculture Extension,  ASA Campus Opposite Islamia College,  University Road, Peshawar. Khyber Pakhtunkhwa. Pakistan  Phone: +92-(0)91-9224 223,  Fax: +92-(0)91-9224 225  E-Mail: pmu.crthikp@gmail.com</p> <p><b>The deadline for Bid submission is:</b>  Date: <b>3<sup>rd</sup> January, 2024</b>  Time: <b>1100 Hours</b></p> <p>Bidders <b>“shall not”</b> have the option of submitting their Bids electronically.  The electronic Bidding submission procedures shall be: <i>N/A</i></p>
<b>ITB 25.1</b>	<p>The Bid opening shall take place at:</p> <p><b>Address:</b> Directorate General Agriculture Extension,  ASA Campus, Opposite Islamia College , University Road,  Peshawar. Khyber Pakhtunkhwa. Pakistan.</p> <p>Floor/ Room number: Ground Floor, Committee Room</p> <p>City: <b>Peshawar</b></p> <p>Country: <b>Pakistan.</b></p> <p><b>Date:</b> <b>3<sup>rd</sup> January, 2024</b></p> <p>Time: <b>1130 Hours</b></p> <p>The electronic Bid opening procedures shall be: <i>N/A</i></p>
<b>ITB 25.6</b>	The Letter of Bid and Price Schedules shall be signed by representatives of the Purchaser conducting Bid opening.
<b>E. Evaluation and Comparison of Bids</b>	
<b>ITB 30.3</b>	The adjustment shall be based on the highest price of the item or component as quoted in other substantially responsive Bids. If the price of the item or

	component cannot be derived from the price of other substantially responsive Bids, the Purchaser shall use its best estimate.
<b>ITB 32.1</b>	For evaluation and comparison purpose the currency(ies) of the bid shall be converted in a single currency (PKR) using the exchange rate of <b>3<sup>rd</sup> January, 2024</b> (last date for submission of bid).
<b>ITB 33.1</b>	N/A
<b>ITB 34.2(a)</b>	Evaluation will be done for items in the lot's contracts.
<b>ITB 34.6</b>	The adjustments shall be determined using the following criteria, from amongst those set out in Section III, Evaluation and Qualification Criteria: <i>(a)</i> Deviation in Delivery schedule: <i>No.</i> <i>(b)</i> Deviation in payment schedule: <i>No.</i>
	<b>F. Award of Contract</b>
<b>ITB 42</b>	The maximum percentage by which quantities may be increased is <b>15%</b> The maximum percentage by which quantities may be decreased is <b>15%</b>
<b>ITB 45. 1</b>	The successful Bidder shall submit the Beneficial Ownership Disclosure Form.
<b>ITB 46</b>	Not Applicable
<b>ITB 47.1</b>	<p>The procedures for making a Procurement-related Complaint are detailed in the “<a href="#">Procurement Regulations for IPF Borrowers</a> (Annex III).” If a Bidder wishes to make a Procurement-related Complaint, the Bidder should submit its complaint following these procedures, in writing to:</p> <p style="text-align: center;"><b>The Project Director,</b> <b><i>Climate Resilience through Horticultural Interventions in Khyber Pakhtunkhwa</i></b> Directorate General Agriculture Extension, ASA Campus, University Road, Peshawar. Khyber Pakhtunkhwa, Pakistan. Phone: +92-(0)91-9224 223 Fax: +92-(0)91-9224 225</p> <p>In summary, a Procurement-related Complaint may challenge any of the following:</p> <ol style="list-style-type: none"> <li>1. the terms of the Bidding Documents; and</li> <li>2. the Purchaser’s decision to award the contract.</li> </ol>





# **Section III - Evaluation and Qualification Criteria**

## **Contents**

<b>2.</b>	<b>Evaluation (ITB 34)</b> .....	<b>42</b>
<b>3.</b>	<b>Qualification (ITB 37)</b> .....	<b>42</b>

## **Most Advantageous Bid**

The Purchaser shall use the criteria and methodologies listed in Section 2 and 3 below to determine the Most Advantageous Bid. The Most Advantageous Bid is the Bid of the Bidder that meets the qualification criteria and whose Bid has been determined to be:

- (a) substantially responsive to the bidding document; and
- (b) the lowest evaluated cost.

## **2. Evaluation (ITB 34)**

**Technically complied with least cost shall be the evaluation criteria.**

## **3. Qualification (ITB 37)**

### **3.1 Qualification Criteria (ITB 37.1)**

After determining the substantially responsive Bid which offers the lowest-evaluated cost in accordance with ITB 34, and, if applicable, the assessment of any Abnormally Low Bid (in accordance with ITB 36) the Purchaser shall carry out the post-qualification of the Bidder in accordance with ITB 37, using only the requirements specified. Requirements not included in the text below shall not be used in the evaluation of the Bidder's qualifications.

(A) If the Bidder is a manufacturer:

(1) Financial Capability

The Bidder shall furnish documentary evidence that it meets the following financial requirement(s):

**Documentary proof of adequate average annual turnover (from any Solar System/Products of at least three years with minimum amount of PKRs. 20.000 million. (Financial Audited Statement to be provided as evidence of last three years).**

(2) Experience and Technical Capacity

The Bidder shall furnish documentary evidence to demonstrate that it meets the following experience requirement(s):

The Bidder shall submit the following additional documents:

- The bidder shall submit purchase order/contract/completion certificates of 03 supplies in last three (03) years in Solar systems/products etc.
- The bidder shall have the relevant experience in supply & installation of the required goods/items.
- The bidder shall provide an organizational profile, mentioning the list of experts, logistics presence and supplier references.
- The bidder must provide performance satisfactory certificates/report from the last supplies made in public sector.
- The bidder shall be registered with Pakistan Engineering Council (PEC).
- The bidder shall provide copies of income tax and sales tax registration certificates.
- The bidder shall be on active tax payer list.
- The bidder will also provide the attested photocopy of CNIC of the owner or authorized person dealing with the Department. Page number on firm profile is mandatory.

- The bidder shall submit an affidavit that bidder is not blacklisted by public or private organization/firms must not be debarred by the WBG
- The bidder shall submit an affidavit to provide qualitative and durable goods/materials/items (Judicial stamp paper Rs. 100/-) mentioning the working life of the offered product 25 years.
- Company ownership affidavit (Judicial stamp paper Rs. 100/-)
- The firm shall execute contract / agreement on Rs.100/- stamp paper with the Department to abide by all terms and conditions.
- Technical employees and its service, salary, and job agreement record.
- The Bidder must submit an affidavit on duly notarized stamp paper that the firm is not engaged in any litigations etc.
- In case of Joint venture, JV agreement must be submitted before signing of contract on the prescribed format.
- The bids must be according to the specification mentioned in RFB (Section VII - Schedule of Requirements).
- In order to receive payments under the contract, the successful bidder must be Income Tax and Sales Tax register and must be on active taxpayer list of FBR. However, this would not disqualify the bidder from participating.
- The firm shall execute contract/agreement on Rs.100/- stamp paper with Department that each unit/package (set) as per technical specification of Procurement of Solar System/Products will be supplied, installed and commissioned (need basis visits) against 25 year warranty by firm on exact location of each GPU/District of Khyber Pakhtunkhwa.

(3) Documentary Evidence

- (a) The Bidder shall furnish documentary evidence to demonstrate that the Goods it offers meet the following usage requirement:
- (b) If Bidder is not manufacturer:

If a Bidder is not a manufacturer, but is offering the Goods on behalf of the Manufacturer under Manufacturer's Authorization Form (Section IV, Bidding Forms), the Manufacturer shall demonstrate the above qualifications (1), (2), (3) and the Bidder shall demonstrate that it has successfully completed at least 05 (five) contracts of similar goods in the past 5 years

# Section IV - Bidding Forms

## Table of Forms

**Letter of Bid .....45**

**Bidder Information Form .....48**

**Bidder’s JV Members Information Form .....49**

**Price Schedule: Goods Manufactured in the Purchaser’s Country.....51**

**Form of Bid Security .....52**

**Form of Bid Security (Bid Bond) .....54**

**Form of Bid-Securing Declaration .....55**

**Manufacturer’s Authorization .....56**

## Letter of Bid

**Date of this Bid submission: -----**

**RFB No.:** PK-NDRMF-326102-GO-RFB

To:

The Director Project  
***Climate Resilience through Horticultural Interventions in Khyber Pakhtunkhwa***  
Directorate General Agriculture Extension,  
ASA Campus Opposite Islamia College,  
University Road, Peshawar. Khyber Pakhtunkhwa. Pakistan  
Phone: +92-(0)91-9224 223,  
Fax: +92-(0)91-9224 225  
E-Mail: pmu.crthikp@gmail.com

- (a) **No reservations:** We have examined and have no reservations to the bidding document, including Addenda issued in accordance with Instructions to Bidders (ITB 8);
- (b) **Eligibility:** We meet the eligibility requirements and have no conflict of interest in accordance with ITB 4;
- (c) **Bid/Proposal-Securing Declaration:** We have not been suspended nor declared ineligible by the Purchaser based on execution of a Bid-Securing Declaration or Proposal-Securing Declaration in the Purchaser's Country in accordance with ITB 4.7;
- (d) **Conformity:** We offer to supply in conformity with the bidding document and in accordance with the Delivery Schedules specified in the Schedule of Requirements the following Goods: [*insert a brief description of the Goods and Related Services*];
- (e) **Bid Price:** The total price of our Bid, excluding any discounts offered in item (f) below is:

Option 1, in case of one lot: Total price is: [*insert the total price of the Bid in words and figures, indicating the various amounts and the respective currencies*];

Or

Option 2, in case of multiple lots: (a) Total price of each lot [*insert the total price of each lot in words and figures, indicating the various amounts and the respective currencies*]; and (b) Total price of all lots (sum of all lots) [*insert the total price of all lots in words and figures, indicating the various amounts and the respective currencies*];

- (f) **Discounts:** The discounts offered and the methodology for their application are:
  - (i) The discounts offered are: [*Specify in detail each discount offered.*]

- (ii) The exact method of calculations to determine the net price after application of discounts is shown below: [*Specify in detail the method that shall be used to apply the discounts*];
- (g) **Bid Validity Period:** Our Bid shall be valid for the period specified in BDS 18.1 (as amended, if applicable) from the date fixed for the Bid submission deadline specified in BDS 22.1 (as amended, if applicable), and it shall remain binding upon us and may be accepted at any time before the expiration of that period;
- (h) **Performance Security:** If our Bid is accepted, we commit to obtain a performance security in accordance with the bidding document;
- (i) **One Bid per Bidder:** We are not submitting any other Bid(s) as an individual Bidder, and we are not participating in any other Bid(s) as a Joint Venture member, or as a subcontractor, and meet the requirements of ITB 4.3, other than alternative Bids submitted in accordance with ITB 13;
- (j) **Suspension and Debarment:** We, along with any of our subcontractors, suppliers, consultants, manufacturers, or service providers for any part of the contract, are not subject to, and not controlled by any entity or individual that is subject to, a temporary suspension or a debarment imposed by the World Bank Group or a debarment imposed by the World Bank Group in accordance with the Agreement for Mutual Enforcement of Debarment Decisions between the World Bank and other development banks. Further, we are not ineligible under the Purchaser's Country laws or official regulations or pursuant to a decision of the United Nations Security Council;
- (k) **State-owned enterprise or institution:** [*select the appropriate option and delete the other*] [*We are not a state-owned enterprise or institution*] / [*We are a state-owned enterprise or institution but meet the requirements of ITB 4.6*];
- (l) **Commissions, gratuities, fees:** We have paid, or will pay the following commissions, gratuities, or fees with respect to the Bidding process or execution of the Contract:  
[*insert complete name of each Recipient, its full address, the reason for which each commission or gratuity was paid and the amount and currency of each such commission or gratuity*]

Name of Recipient	Address	Reason	Amount

(If none has been paid or is to be paid, indicate "none.")

- (m) **Binding Contract:** We understand that this Bid, together with your written acceptance thereof included in your Letter of Acceptance, shall constitute a binding contract between us, until a formal contract is prepared and executed;

- (n) **Purchaser Not Bound to Accept:** We understand that you are not bound to accept the lowest evaluated cost Bid, the Most Advantageous Bid or any other Bid that you may receive; and
- (o) **Fraud and Corruption:** We hereby certify that we have taken steps to ensure that no person acting for us or on our behalf engages in any type of Fraud and Corruption.

**Name of the Bidder:** *\*[insert complete name of the Bidder]*

**Name of the person duly authorized to sign the Bid on behalf of the Bidder:** *\*\*[insert complete name of person duly authorized to sign the Bid]*

**Title of the person signing the Bid:** *[insert complete title of the person signing the Bid]*

**Signature of the person named above:** *[insert signature of person whose name and capacity are shown above]*

**Date signed** *[insert date of signing]* **day of** *[insert month]*, *[insert year]*

\*: In the case of the Bid submitted by a Joint Venture specify the name of the Joint Venture as Bidder.

\*\*\*: Person signing the Bid shall have the power of attorney given by the Bidder. The power of attorney shall be attached with the Bid Schedules.

## Bidder Information Form

*[The Bidder shall fill in this Form in accordance with the instructions indicated below. No alterations to its format shall be permitted and no substitutions shall be accepted.]*

Date-----, 2024

RFB No.: PK-NDRMF-326102-GO-RFB

Alternative No.: *[insert identification No if this is a Bid for an alternative]*

Page\_\_\_\_\_of\_\_\_\_\_pages

1. Bidder's Name <i>[insert Bidder's legal name]</i>
2. In case of JV, legal name of each member: <i>[insert legal name of each member in JV]</i>
3. Bidder's actual or intended country of registration: <i>[insert actual or intended country of registration]</i>
4. Bidder's year of registration: <i>[insert Bidder's year of registration]</i>
5. Bidder's Address in country of registration: <i>[insert Bidder's legal address in country of registration]</i>
6. Bidder's Authorized Representative Information  Name: <i>[insert Authorized Representative's name]</i> Address: <i>[insert Authorized Representative's Address]</i> Telephone/Fax numbers: <i>[insert Authorized Representative's telephone/fax numbers]</i> Email Address: <i>[insert Authorized Representative's email address]</i>
7. Attached are copies of original documents of <i>[check the box(es) of the attached original documents]</i>  <input type="checkbox"/> Articles of Incorporation (or equivalent documents of constitution or association), and/or documents of registration of the legal entity named above, in accordance with ITB 4.4. <input type="checkbox"/> In case of JV, letter of intent to form JV or JV agreement, in accordance with ITB 4.1. <input type="checkbox"/> In case of state-owned enterprise or institution, in accordance with ITB 4.6 documents establishing: <ul style="list-style-type: none"> <li>• Legal and financial autonomy</li> <li>• Operation under commercial law</li> <li>• Establishing that the Bidder is not under the supervision of the Purchaser</li> </ul>
8. Included are the organizational chart, a list of Board of Directors, and the beneficial ownership. <i>[If required under BDS ITB 45.1, the successful Bidder shall provide additional information on beneficial ownership, using the Beneficial Ownership Disclosure Form.]</i>



## Bidder's JV Members Information Form

*[The Bidder shall fill in this Form in accordance with the instructions indicated below. The following table shall be filled in for the Bidder and for each member of a Joint Venture].*

Date -----, **2024**

RFB No.: PK-NDRMF-326102-GO-RFB

Alternative No.: *[insert identification No if this is a Bid for an alternative]*

Page \_\_\_\_\_ of \_\_\_\_\_ pages

1. Bidder's Name: <i>[insert Bidder's legal name]</i>
2. Bidder's JV Member's name: <i>[insert JV's Member legal name]</i>
3. Bidder's JV Member's country of registration: <i>[insert JV's Member country of registration]</i>
4. Bidder's JV Member's year of registration: <i>[insert JV's Member year of registration]</i>
5. Bidder's JV Member's legal address in country of registration: <i>[insert JV's Member legal address in country of registration]</i>
6. Bidder's JV Member's authorized representative information Name: <i>[insert name of JV's Member authorized representative]</i> Address: <i>[insert address of JV's Member authorized representative]</i> Telephone/Fax numbers: <i>[insert telephone/fax numbers of JV's Member authorized representative]</i> Email Address: <i>[insert email address of JV's Member authorized representative]</i>
7. Attached are copies of original documents of <i>[check the box(es) of the attached original documents]</i>  <input type="checkbox"/> Articles of Incorporation (or equivalent documents of constitution or association), and/or registration documents of the legal entity named above, in accordance with ITB 4.4.  <input type="checkbox"/> In case of a state-owned enterprise or institution, documents establishing legal and financial autonomy, operation in accordance with commercial law, and that they are not under the supervision of the Purchaser, in accordance with ITB 4.6.
8. Included are the organizational chart, a list of Board of Directors, and the beneficial ownership. <i>[If required under BDS ITB 45.1, the successful Bidder shall provide additional information on beneficial ownership for each JV member using the Beneficial Ownership Disclosure Form.]</i>

## Price Schedule Forms

*[The Bidder shall fill in these Price Schedule Forms in accordance with the instructions indicated. The list of line items in column 1 of the **Price Schedules** shall coincide with the List of Goods and Related Services specified by the Purchaser in the Schedule of Requirements.]*

## Price Schedule: Goods Manufactured in the Purchaser's Country

Purchaser's Country  _____		(Group A and B Bids)  Currencies in accordance with ITB 15				Date: _____ RFB No: PK-NDRMF-326102-GO-RFB RFB Alternative No: _____ Page No. _____ of _____			
1	2	3	4	5	6	7	8	9	10
Line Item N°	Description of Goods	Delivery Date as defined by Incoterms	Quantity and physical unit	Unit price EXW	Total EXW price per line item (Col. 4×5)	Price per line item for inland transportation and other services required in the Purchaser's Country to convey the Goods to their final destination	Cost of local labor, raw materials and components from with origin in the Purchaser's Country % of Col. 5	Sales and other taxes payable per line item if Contract is awarded (in accordance with ITB 14.8(a)(ii))	Total Price per line item (Col. 6+7)
1		<i>[insert quoted Delivery Date]</i>	No.	<i>[insert EXW unit price]</i>	<i>[insert total EXW price per line item]</i>	<i>[insert the corresponding price per line item]</i>	<i>[Insert cost of local labor, raw material and components from within the Purchase's country as a % of the EXW price per line item]</i>	<i>[insert sales and other taxes payable per line item if Contract is awarded]</i>	<i>[insert total price per item]</i>
2									
3									
4									
5									
6									
								Total Price	

Name of Bidder *[insert complete name of Bidder]* Signature of Bidder *[signature of person signing the Bid]* Date *[insert date]*

## Form of Bid Security

### (Bank Guarantee)

*[The bank shall fill in this Bank Guarantee Form in accordance with the instructions indicated.]*

*[Guarantor letterhead or SWIFT identifier code]*

**Beneficiary:** *[Purchaser to insert its name and address]*

**RFB No.:** *[Purchaser to insert reference number for the Request for Bids]*

**Alternative No.:** *[Insert identification No if this is a Bid for an alternative]*

**Date:** *[Insert date of issue]*

**BID GUARANTEE No.:** *[Insert guarantee reference number]*

**Guarantor:** *[Insert name and address of place of issue, unless indicated in the letterhead]*

We have been informed that \_\_\_\_\_ *[insert name of the Bidder, which in the case of a joint venture shall be the name of the joint venture (whether legally constituted or prospective) or the names of all members thereof]* (hereinafter called "the Applicant") has submitted or will submit to the Beneficiary its Bid (hereinafter called "the Bid") for the execution of \_\_\_\_\_ under Request for Bids No. \_\_\_\_\_ ("the RFB").

Furthermore, we understand that, according to the Beneficiary's conditions, Bids must be supported by a Bid guarantee.

At the request of the Applicant, we, as Guarantor, hereby irrevocably undertake to pay the Beneficiary any sum or sums not exceeding in total an amount of \_\_\_\_\_ (\_\_\_\_\_) upon receipt by us of the Beneficiary's complying demand, supported by the Beneficiary's statement, whether in the demand itself or a separate signed document accompanying or identifying the demand, stating that either the Applicant:

- (a) has withdrawn its Bid during the period of Bid validity set forth in the Applicant's Letter of Bid ("the Bid Validity Period"), or any extension thereto provided by the Applicant; or
- (b) having been notified of the acceptance of its Bid by the Beneficiary during the Bid Validity Period or any extension thereto provided by the Applicant, (i) has failed to sign the contract agreement, or (ii) has failed to furnish the performance security, in

accordance with the Instructions to Bidders (“ITB”) of the Beneficiary’s bidding document.

This guarantee will expire: (a) if the Applicant is the successful Bidder, upon our receipt of copies of the Contract agreement signed by the Applicant and the performance security issued to the Beneficiary in relation to such Contract agreement; or (b) if the Applicant is not the successful Bidder, upon the earlier of (i) our receipt of a copy of the Beneficiary’s notification to the Applicant of the results of the Bidding process; or (ii) twenty-eight days after the end of the Bid Validity Period.

Consequently, any demand for payment under this guarantee must be received by us at the office indicated above on or before that date.

This guarantee is subject to the Uniform Rules for Demand Guarantees (URDG) 2010 Revision, ICC Publication No. 758.

---

*[Signature(s)]*

***Note: All italicized text is for use in preparing this form and shall be deleted from the final product.***

---

## Form of Bid Security (Bid Bond)

*[The Surety shall fill in this Bid Bond Form in accordance with the instructions indicated.]*

BOND NO. \_\_\_\_\_

BY THIS BOND *[name of Bidder]* as Principal (hereinafter called “the Principal”), and *[name, legal title, and address of surety]*, **authorized to transact business in** *[name of country of Purchaser]*, as Surety (hereinafter called “the Surety”), are held and firmly bound unto *[name of Purchaser]* as Obligee (hereinafter called “the Purchaser”) in the sum of *[amount of Bond]*<sup>2</sup> *[amount in words]*, for the payment of which sum, well and truly to be made, we, the said Principal and Surety, bind ourselves, our successors and assigns, jointly and severally, firmly by these presents.

WHEREAS the Principal has submitted or will submit a written Bid to the Purchaser dated the \_\_\_\_ day of \_\_\_\_\_, 20\_\_, for the supply of *[name of Contract]* (hereinafter called the “Bid”).

NOW, THEREFORE, THE CONDITION OF THIS OBLIGATION is such that if the Principal:

- (a) has withdrawn its Bid during the period of Bid validity set forth in the Principal’s Letter of Bid (“the Bid Validity Period”), or any extension thereto provided by the Principal; or
- (b) having been notified of the acceptance of its Bid by the Purchaser during the Bid Validity Period or any extension thereto provided by the Principal; (i) failed to execute the Contract agreement; or (ii) has failed to furnish the Performance Security, in accordance with the Instructions to Bidders (“ITB”) of the Purchaser’s bidding document.

then the Surety undertakes to immediately pay to the Purchaser up to the above amount upon receipt of the Purchaser’s first written demand, without the Purchaser having to substantiate its demand, provided that in its demand the Purchaser shall state that the demand arises from the occurrence of any of the above events, specifying which event(s) has occurred.

The Surety hereby agrees that its obligation will remain in full force and effect up to and including the date 28 days after the date of expiration of the Bid Validity Period set forth in the Principal’s Letter of Bid or any extension thereto provided by the Principal.

IN TESTIMONY WHEREOF, the Principal and the Surety have caused these presents to be executed in their respective names this \_\_\_\_ day of \_\_\_\_\_ 20\_.

Principal: \_\_\_\_\_ Surety: \_\_\_\_\_  
 Corporate Seal (where appropriate)

\_\_\_\_\_  
*(Signature)*  
*(Printed name and title)*

\_\_\_\_\_  
*(Signature)*  
*(Printed name and title)*

<sup>2</sup> The amount of the Bond shall be denominated in the currency of the Purchaser’s Country or the equivalent amount in a freely convertible currency.

## Form of Bid-Securing Declaration (Not Applicable)

*[The Bidder shall fill in this Form in accordance with the instructions indicated.]*

Date: *[date (as day, month and year)]*

Bid No.: *[number of RFB process]*

Alternative No.: *[insert identification No if this is a Bid for an alternative]*

To: *[complete name of Purchaser]*

We, the undersigned, declare that:

We understand that, according to your conditions, Bids must be supported by a Bid-Securing Declaration.

We accept that we will automatically be suspended from being eligible for bidding or submitting proposals in any contract with the Purchaser for the period of time of *[number of months or years]* starting on *[date]*, if we are in breach of our obligation(s) under the Bid conditions, because we:

- (a) have withdrawn our Bid during the period of Bid validity specified in the Letter of Bid;  
or
- (b) having been notified of the acceptance of our Bid by the Purchaser during the period of Bid validity, (i) fail or refuse to sign the Contract; or (ii) fail or refuse to furnish the Performance Security, if required, in accordance with the ITB.

We understand this Bid Securing Declaration shall expire if we are not the successful Bidder, upon the earlier of (i) our receipt of your notification to us of the name of the successful Bidder; or (ii) twenty-eight days after the expiration of our Bid.

Name of the Bidder\* \_\_\_\_\_

Name of the person duly authorized to sign the Bid on behalf of the Bidder\*\* \_\_\_\_\_

Title of the person signing the Bid \_\_\_\_\_

Signature of the person named above \_\_\_\_\_

Date signed \_\_\_\_\_ day of \_\_\_\_\_, \_\_\_\_\_

\*: In the case of the Bid submitted by joint venture specify the name of the Joint Venture as Bidder

\*\* : Person signing the Bid shall have the power of attorney given by the Bidder attached to the Bid

*[Note: In case of a Joint Venture, the Bid-Securing Declaration must be in the name of all members to the Joint Venture that submits the Bid.]*

## Manufacturer's Authorization

*[The Bidder shall require the Manufacturer to fill in this Form in accordance with the instructions indicated. This letter of authorization should be on the letterhead of the Manufacturer and should be signed by a person with the proper authority to sign documents that are binding on the Manufacturer. The Bidder shall include it in its Bid, if so indicated in the BDS.]*

Date: *[insert date (as day, month and year) of Bid submission]*

RFB No.: *[insert number of RFB process]*

Alternative No.: *[insert identification No if this is a Bid for an alternative]*

To: *[insert complete name of Purchaser]*

### WHEREAS

We *[insert complete name of Manufacturer]*, who are official manufacturers of *[insert type of goods manufactured]*, having factories at *[insert full address of Manufacturer's factories]*, do hereby authorize *[insert complete name of Bidder]* to submit a Bid the purpose of which is to provide the following Goods, manufactured by us *[insert name and or brief description of the Goods]*, and to subsequently negotiate and sign the Contract.

We hereby extend our full guarantee and warranty in accordance with Clause 28 of the General Conditions of Contract, with respect to the Goods offered by the above firm.

Signed: *[insert signature(s) of authorized representative(s) of the Manufacturer]*

Name: *[insert complete name(s) of authorized representative(s) of the Manufacturer]*

Title: *[insert title]*

Dated on \_\_\_\_\_ day of \_\_\_\_\_, \_\_\_\_\_ *[insert date of signing]*



## Section V - Eligible Countries

### Eligibility for the Provision of Goods, Works and Non-Consulting Services in Bank-Financed Procurement

In reference to ITB 4.8 and ITB 5.1, for the information of the Bidders, at the present time firms, goods and services from the following countries are excluded from this Bidding process:

1. As a matter of law or official regulation, **the Purchaser's Country prohibits commercial relations with that Country**, provided that the Procuring Entity is satisfied that such exclusion does not preclude effective competition for the supply of the Goods or Works required, or
2. By an Act of Compliance with a **Decision of the United Nations Security Council taken under Chapter VII of the Charter of the United Nations**, the Purchaser's Country prohibits any import of goods from that Country or any payments to persons or entities in that Country.
  - a. For the information of Purchasers and bidders, at the present time firms, goods and services from *the following countries are excluded* from this bidding: **N/A**



# Section VI - Fraud and Corruption

(Section VI shall not be modified)

## 1. Purpose

1.1 The Bank's Anti-Corruption Guidelines and this annex apply with respect to procurement under Bank Investment Project Financing operations.

## 2. Requirements

2.1 The Bank requires that Borrowers (including beneficiaries of Bank financing); bidders (applicants/proposers), consultants, contractors and suppliers; any sub-contractors, sub-consultants, service providers or suppliers; any agents (whether declared or not); and any of their personnel, observe the highest standard of ethics during the procurement process, selection and contract execution of Bank-financed contracts, and refrain from Fraud and Corruption.

2.2 To this end, the Bank:

- a. Defines, for the purposes of this provision, the terms set forth below as follows:
  - i. "corrupt practice" is the offering, giving, receiving, or soliciting, directly or indirectly, of anything of value to influence improperly the actions of another party;
  - ii. "fraudulent practice" is any act or omission, including misrepresentation, that knowingly or recklessly misleads, or attempts to mislead, a party to obtain financial or other benefit or to avoid an obligation;
  - iii. "collusive practice" is an arrangement between two or more parties designed to achieve an improper purpose, including to influence improperly the actions of another party;
  - iv. "coercive practice" is impairing or harming, or threatening to impair or harm, directly or indirectly, any party or the property of the party to influence improperly the actions of a party;
  - v. "obstructive practice" is:
    - (a) deliberately destroying, falsifying, altering, or concealing of evidence material to the investigation or making false statements to investigators in order to materially impede a Bank investigation into allegations of a corrupt, fraudulent, coercive, or collusive practice; and/or threatening, harassing, or intimidating any party to prevent it from disclosing its knowledge of matters relevant to the investigation or from pursuing the investigation; or
    - (b) acts intended to materially impede the exercise of the Bank's inspection and audit rights provided for under paragraph 2.2 e. below.

- b. Rejects a proposal for award if the Bank determines that the firm or individual recommended for award, any of its personnel, or its agents, or its sub-consultants, sub-contractors, service providers, suppliers and/ or their employees, has, directly or indirectly, engaged in corrupt, fraudulent, collusive, coercive, or obstructive practices in competing for the contract in question;
- c. In addition to the legal remedies set out in the relevant Legal Agreement, may take other appropriate actions, including declaring misprocurement, if the Bank determines at any time that representatives of the Borrower or of a recipient of any part of the proceeds of the loan engaged in corrupt, fraudulent, collusive, coercive, or obstructive practices during the procurement process, selection and/or execution of the contract in question, without the Borrower having taken timely and appropriate action satisfactory to the Bank to address such practices when they occur, including by failing to inform the Bank in a timely manner at the time they knew of the practices;
- d. Pursuant to the Bank's Anti- Corruption Guidelines, and in accordance with the Bank's prevailing sanctions policies and procedures, may sanction a firm or individual, either indefinitely or for a stated period of time, including by publicly declaring such firm or individual ineligible (i) to be awarded or otherwise benefit from a Bank-financed contract, financially or in any other manner;<sup>1</sup> (ii) to be a nominated<sup>2</sup> sub-contractor, consultant, manufacturer or supplier, or service provider of an otherwise eligible firm being awarded a Bank-financed contract; and (iii) to receive the proceeds of any loan made by the Bank or otherwise to participate further in the preparation or implementation of any Bank-financed project;
- e. Requires that a clause be included in bidding/request for proposals documents and in contracts financed by a Bank loan, requiring (i) bidders (applicants/proposers), consultants, contractors, and suppliers, and their sub-contractors, sub-consultants, service providers, suppliers, agents personnel, permit the Bank to inspect<sup>3</sup> all accounts, records and other documents relating to the procurement process, selection and/or contract execution, and to have them audited by auditors appointed by the Bank.

---

<sup>1</sup> For the avoidance of doubt, a sanctioned party's ineligibility to be awarded a contract shall include, without limitation, (i) applying for pre-qualification, expressing interest in a consultancy, and bidding, either directly or as a nominated sub-contractor, nominated consultant, nominated manufacturer or supplier, or nominated service provider, in respect of such contract, and (ii) entering into an addendum or amendment introducing a material modification to any existing contract.

<sup>2</sup> A nominated sub-contractor, nominated consultant, nominated manufacturer or supplier, or nominated service provider (different names are used depending on the particular bidding document) is one which has been: (i) included by the bidder in its pre-qualification application or bid because it brings specific and critical experience and know-how that allow the bidder to meet the qualification requirements for the particular bid; or (ii) appointed by the Borrower.

<sup>3</sup> Inspections in this context usually are investigative (i.e., forensic) in nature. They involve fact-finding activities undertaken by the Bank or persons appointed by the Bank to address specific matters related to investigations/audits, such as evaluating the veracity of an allegation of possible Fraud and Corruption, through the appropriate mechanisms. Such activity includes but is not limited to: accessing and examining a firm's or individual's financial records and information, and making copies thereof as relevant; accessing and examining any other documents, data and information (whether in hard copy or electronic format) deemed relevant for the investigation/audit, and making copies thereof as relevant; interviewing staff and other relevant individuals; performing physical inspections and site visits; and obtaining third party verification of information.

## **PART 2 – Supply Requirements**

# Section VII - Schedule of Requirements

## Contents

1. List of Goods and Delivery Schedule .....	63
2. Technical Specifications .....	64
3. Drawings.....	65
4. Inspections and Tests.....	72
5. Annexure-01 .....	119

## 1. List of Goods and Delivery Schedule

**Procurement and installation of solar system package (set) and its allied equipment/material/foundation etc. for one tube well for strengthening of Germplasm Unit (GPUs) development as per Annexure-01:**

S. No	Descriptions of Solar System & its Allied Equipment/Material/Foundation etc.	UoM (Standard Quality)	QTY	Expected Delivery & installation Date
1	Solar PV Panels 25.5 KW	WATT	25500	Within thirty (30) days
2	Maximum Power Point Tracking (MPPT) Inverter 18.5 KW	KW	01	
3	Fixed Frame Galvanized Iron (G.I)	PER WATT	25500	
4	DC Cabling etc. (Lum Sum)	Complete SET	01	
5	Local Material, Breakers, SPD, Flexible Conduit Pipe, PVC Box/Tumbles, motor pump (18hp) and Foundation etc.	Complete JOB	01	
6	Installation, Testing & Commissioning etc.	Complete JOB	01	
7	SHS Package for Chamber Electrification, MPPT Inverter: 5KW, 4 Dry Batteries, Automatic Stabilizer: 5000 watt, Solar PV Panels: 5000 watt, Power disconnection circuit breaker, Ceiling Fan, Flood Light, Energy Saver Lights etc.	Complete SET	01	

**Note:** Total Numbers of Solar System packages (Set) and Final Destination (Project Site) as Specified in BDS: The supply/demand of solar system package (set) and its allied equipment/material/foundation etc. may be increased or decreased, or altered subject to the availability of funds, structure/position/foundation of Tube Wells and other constraints. There are total six (6) number of Germplasm Units (GPUs) at Agriculture Research Institutes/ Stations of Khyber Pakhtunkhwa and complete package/Set as per technical specification of Annexure-01 will be supplied, installed and commissioned (need basis visits) against 25 year warranty by firm on exact location of each Tube Well at each Germplasm Unit (GPU) in the following potential Districts.

1. GPU at Sherkhana, Malakand sub-unit of ARI Tarnab
2. GPU at Biakan, Matta, upper Swat sub unit of ARI, Swat
3. GPU at Kalam Summer Station Kas, Nazim Abad, sub unit of ARI Swat
4. GPU at Rukhzandani, Kotla Saydan sub unit of ARI, DIKhan
5. GPU at pannian Haripur sub unit of HARS Abbottabad
6. GPU at Jabba Mansehra sub unit of HARS Abbottabad

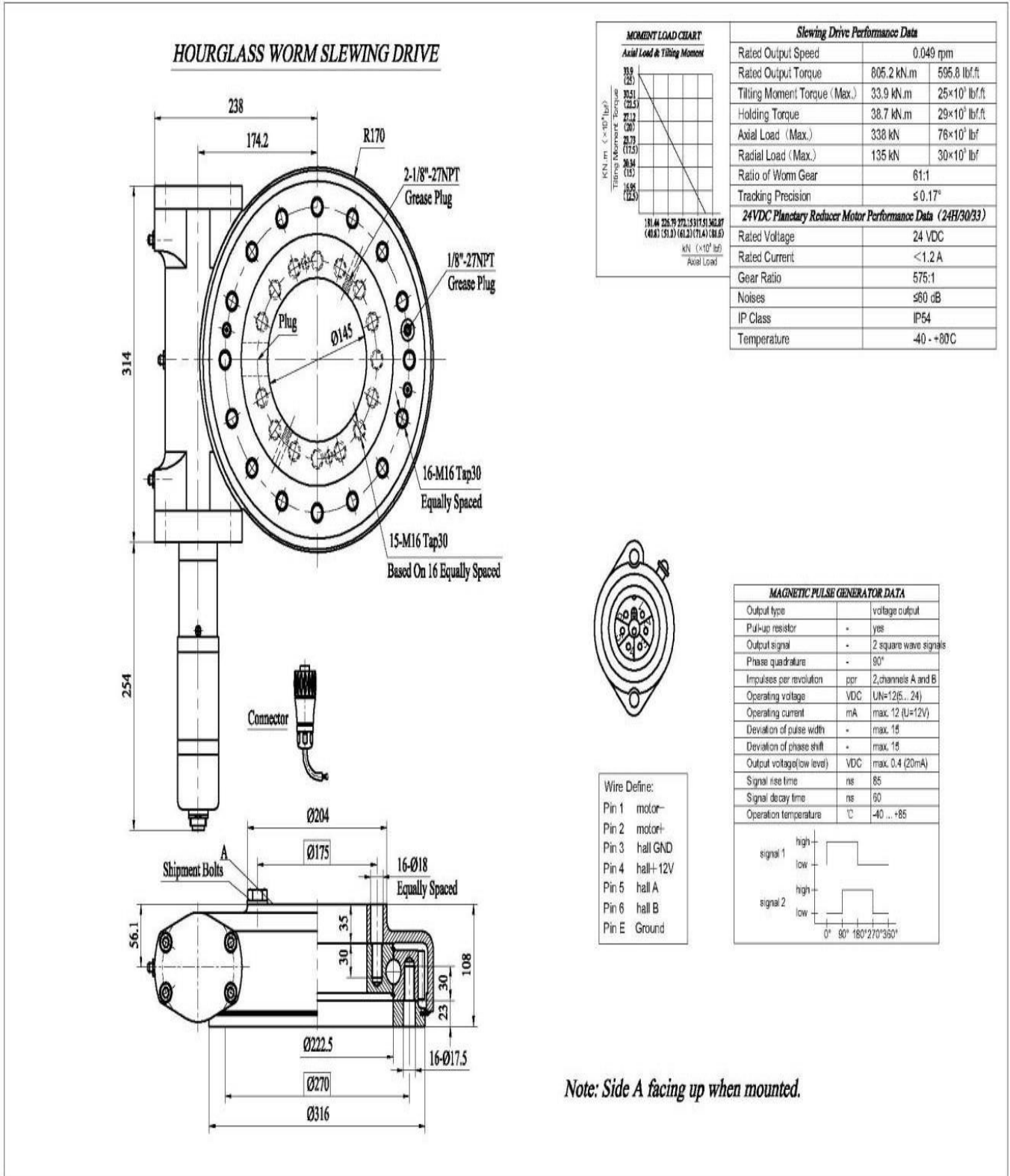
## 2. Technical Specifications

1. The ordered goods/items/materials shall be delivered, installed, tested and commissioned against 25 year warranty by the firm/bidder. Need basis visits by the firm shall be conducted for the whole Solar System/Products and its allied equipment/material/foundation etc. with full satisfaction and acceptance of the Committee/Department.
2. Project name and their logo/monogram should be labelled on all set of Solar System/Products.
3. All aforesaid package (set) of Solar System/Products its allied equipment/ material/ foundation etc. should be acceptable to the Department and the selection/choice of the department shall be final.
4. The supply/demand of Solar System package (set) and its allied equipment/ material/ foundation etc. may be increased or decreased, or altered subject to the availability of funds, structure/position of Tube Wells and other constraints.
5. Bidder should justify the specification with appropriate lab test reports/certifications from the principle manufacturer will be provided.
6. The Technical Specification should be aligned and meet to the Technical Specification for Solar Panels and its allied equipment/material/foundation etc. which has already been approved by the following standardization committee of Government of Khyber Pakhtunkhwa (**Annexure-01**).
  - a) Energy & Power Department Peshawar
  - b) Agriculture Engineering Tarnab Farm Peshawar
  - c) Communication and Works (C&W) Department Peshawar
  - d) Electrical Engineering Department, University of Engineering & Technology Peshawar
  - e) Irrigation Department Peshawar
  - f) PHA Department Peshawar
  - g) LG & RD Department Peshawar
  - h) Public Health Engineering Department Peshawar
  - i) Peshawar Development Authority (PDA) Peshawar
  - j) M&E P&D Department Peshawar



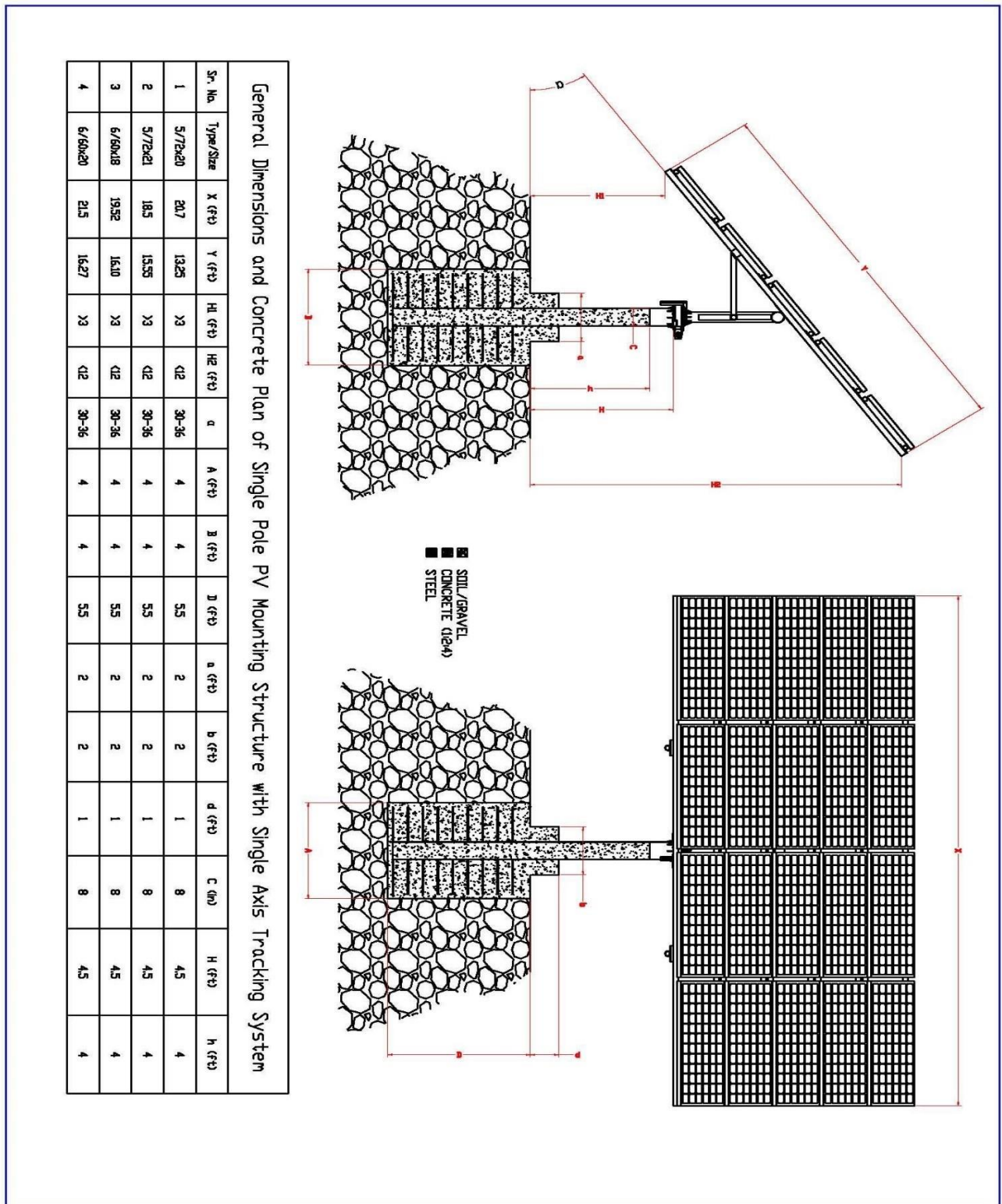
# Drawings

## Slewing Drive Performance



**Note:** Picture/drawing for information only. Actual product may vary according to specification of Annexure-1]

**Dimensions & Plan Tracking System**



**Note:** Picture/drawing for information only. Actual product may be vary according to specification of Annexure-1|

## Electrical Performance

### ELECTRICAL PERFORMANCE

#### Electrical parameters at Standard Test Conditions (STC)

Module type	YLxxxD-49e 1/2 (xxx=Pmax)						
	YLxxxD-49e 1500V 1/2 (xxx=Pmax)						
Power output	$P_{max}$	W	530	535	540	545	550
Power output tolerances	$\Delta P_{max}$	W	0/+5				
Module efficiency	$\eta_m$	%	20.51	20.70	20.89	21.09	21.28
Voltage at $P_{max}$	$V_{mp}$	V	41.40	41.55	41.70	41.85	42.00
Current at $P_{max}$	$I_{mp}$	A	12.81	12.88	12.95	13.03	13.10
Open-circuit voltage	$V_{oc}$	V	49.22	49.37	49.52	49.67	49.82
Short-circuit current	$I_{sc}$	A	13.69	13.76	13.83	13.90	13.97

STC: 1000W/m<sup>2</sup> irradiance, 25°C module temperature, AM1.5g spectrum according to EN 60904-3.  
Average relative efficiency reduction of 3.3% at 200W/m<sup>2</sup> according to EN 60904-1.

#### Electrical parameters at Nominal Operating Cell Temperature (NOCT)

Power output	$P_{max}$	W	394.3	398.0	401.8	405.5	409.2
Voltage at $P_{max}$	$V_{mp}$	V	38.5	38.6	38.8	38.9	39.0
Current at $P_{max}$	$I_{mp}$	A	10.25	10.30	10.36	10.42	10.48
Open-circuit voltage	$V_{oc}$	V	46.1	46.2	46.4	46.5	46.7
Short-circuit current	$I_{sc}$	A	11.06	11.12	11.17	11.23	11.29

NOCT: open-circuit module operation temperature at 800W/m<sup>2</sup> irradiance, 20°C ambient temperature, 1m/s wind speed.

### THERMAL CHARACTERISTICS

Nominal operating cell temperature	NOCT	°C	45± 2
Temperature coefficient of $P_{max}$	$\gamma$	%/°C	-0.35
Temperature coefficient of $V_{oc}$	$\beta_{voc}$	%/°C	-0.27
Temperature coefficient of $I_{sc}$	$\alpha_{bc}$	%/°C	0.05

### OPERATING CONDITIONS

Max. system voltage	1000V <sub>dc</sub> or 1500V <sub>dc</sub>
Max. series fuse rating	25A
Operating temperature range	-40°C to 85°C
Max. static load, front (e.g., snow)	5400Pa
Max. static load, back (e.g., wind)	2400Pa
Max. hailstone impact (diameter / velocity)	25mm / 23m/s

\*DO NOT CONNECT FUSE IN COMBINER BOX WITH TWO OR MORE STRINGS IN PARALLEL CONNECTION

### CONSTRUCTION MATERIALS

Front cover (material / thickness)	low-iron tempered glass / 3.2mm
Cell (quantity / material)	144 / monocrystalline silicon
Frame (material)	anodized aluminum alloy
Junction box (protection degree)	≥ IP67
Cable (length / cross-sectional area)	300 mm / 4mm <sup>2</sup>

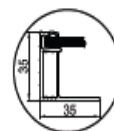
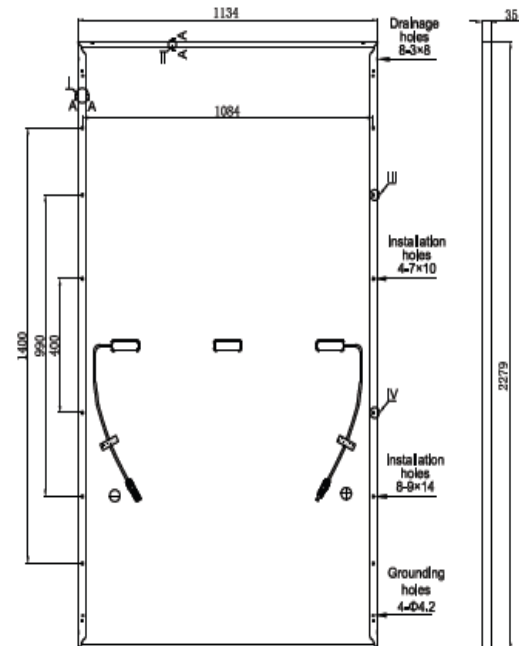
### GENERAL CHARACTERISTICS

Dimensions (L / W / H)	2279×1134×35 mm
Weight	28.6kg

### PACKAGING SPECIFICATIONS

Number of modules per pallet	31
Number of pallets per 40' container	20
Packaging box dimensions (L / W / H)	2295×1110×1245 mm
Box weight	94.2kg

Unit: mm



SECTION A-A I



SECTION A-A II



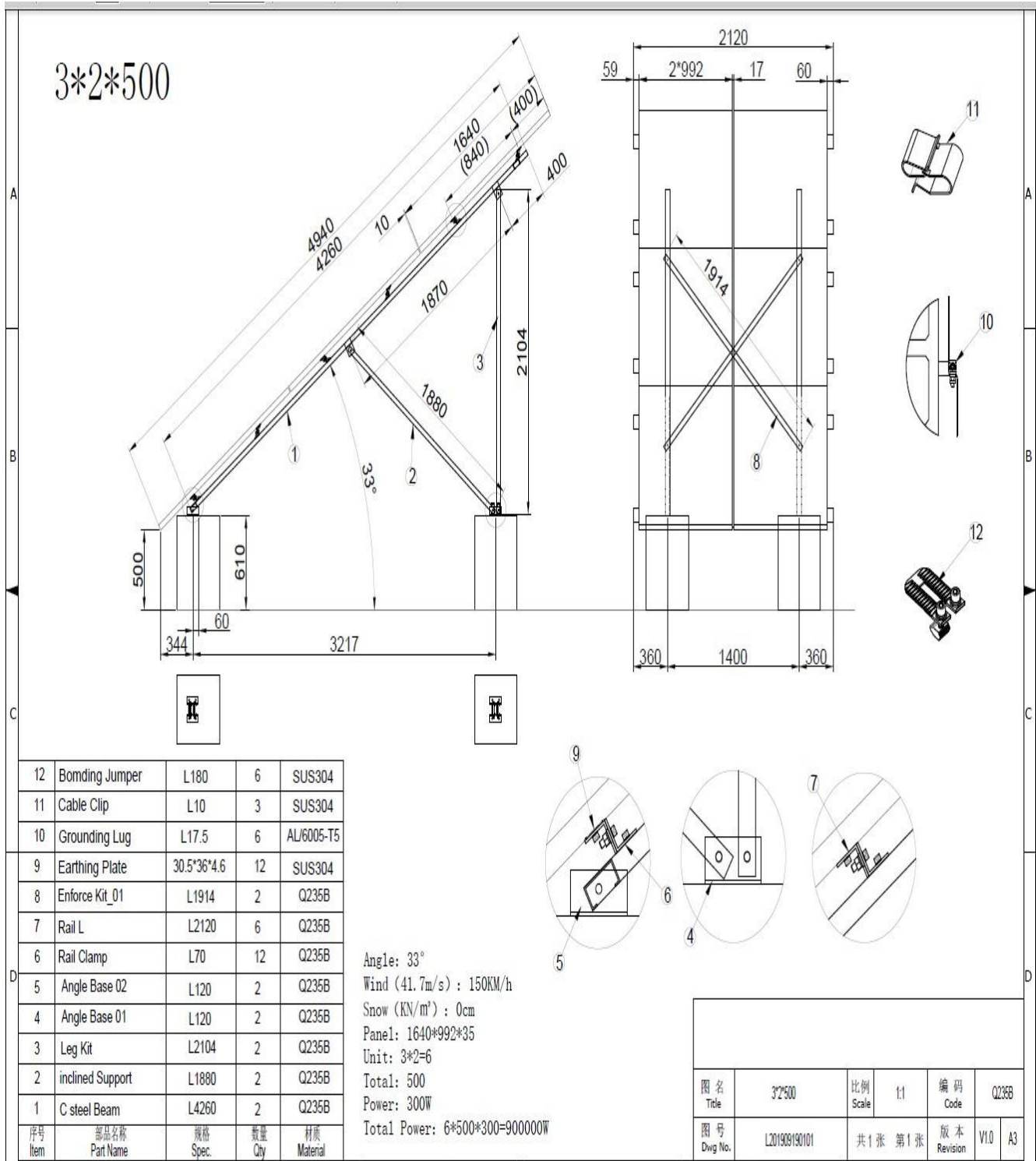
Enlarge figure III



Enlarge figure IV

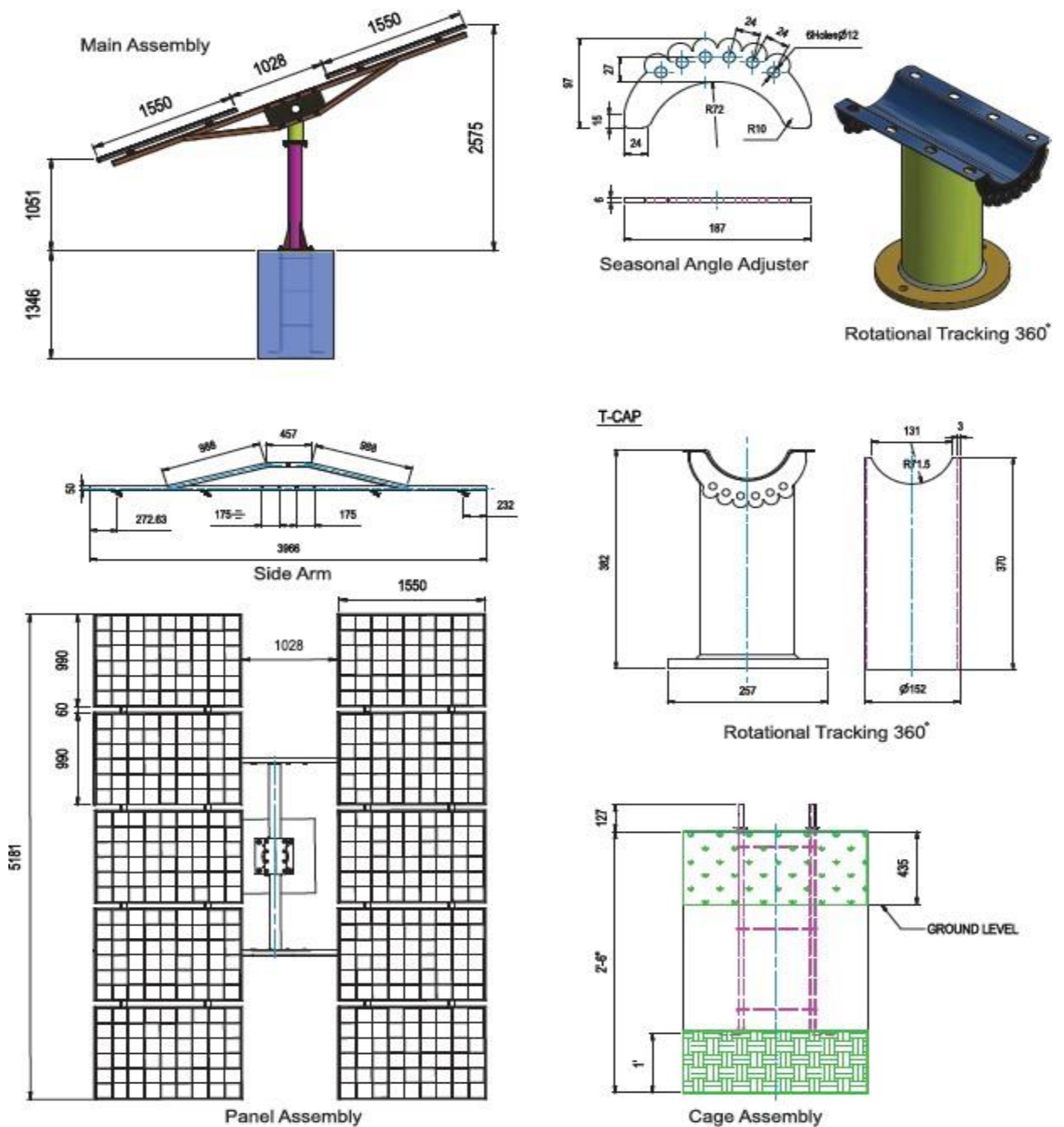
**Note:** Picture/drawing for information only. Actual product may be vary according to specification of Annexure-1]

**Tracker Pictorial Overview**



**Note:** Picture/drawing for information only. Actual product may be vary according to specification of Annexure-1]

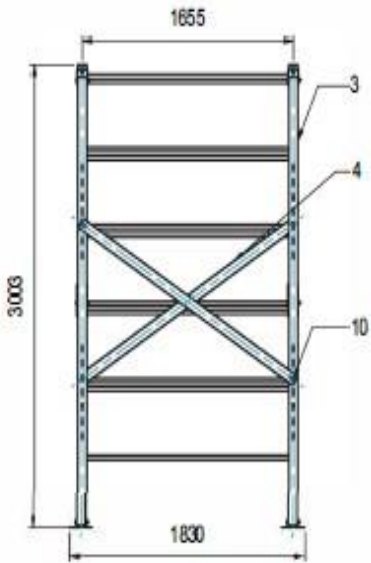
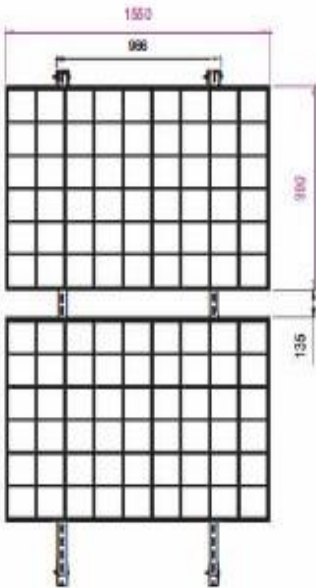
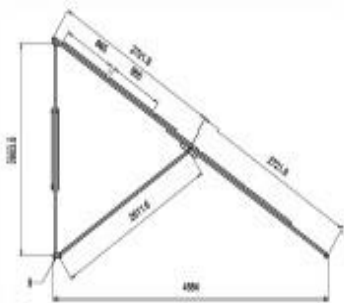
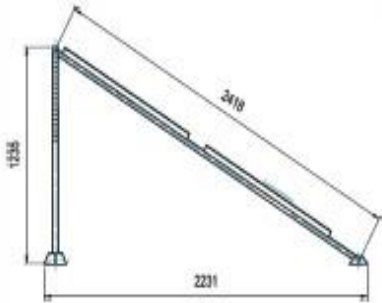
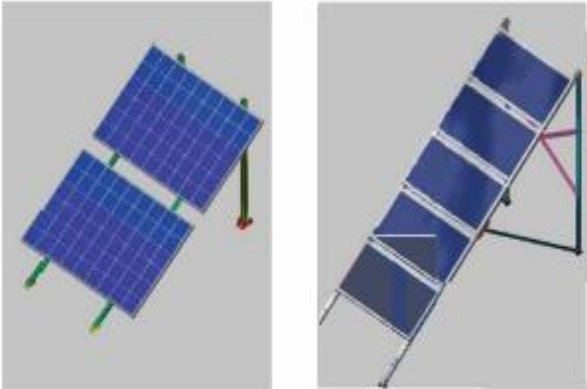
**Components Mechanical Overview**



**Note:** Picture/drawing for information only. Actual product may vary according to specification of Annexure-1

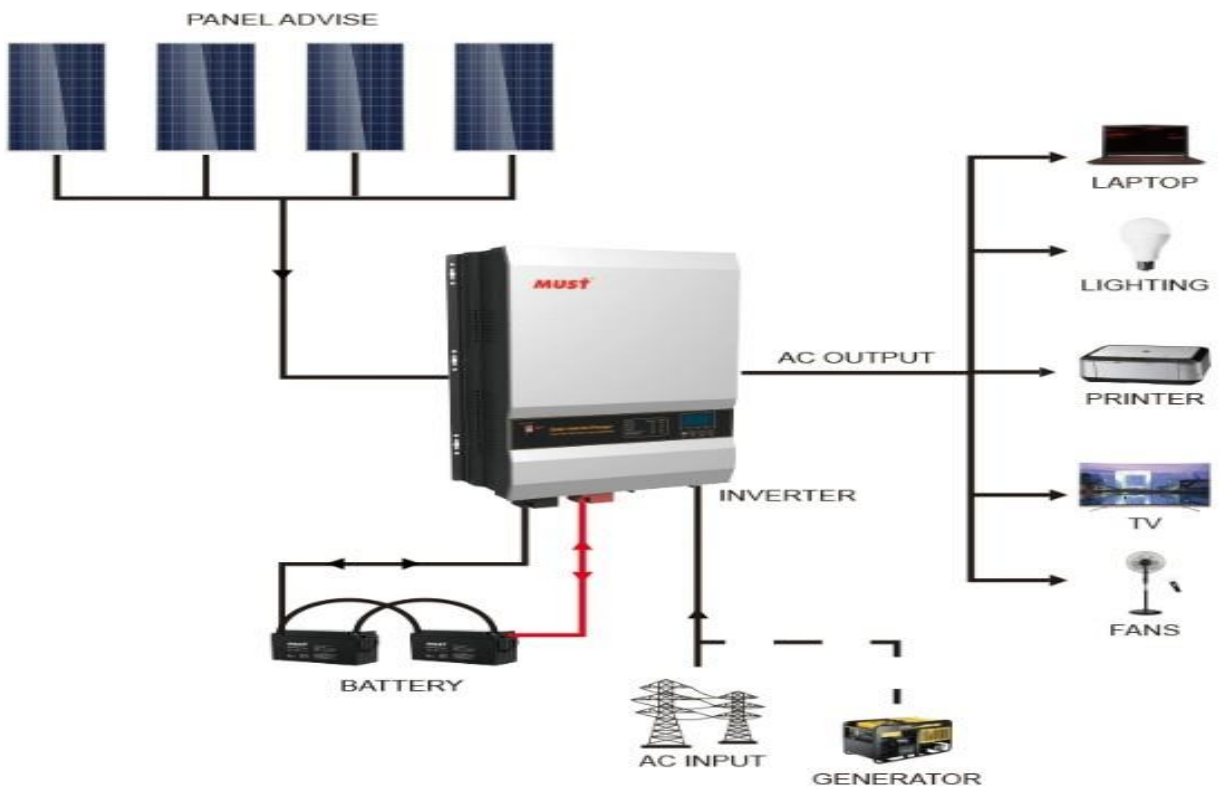
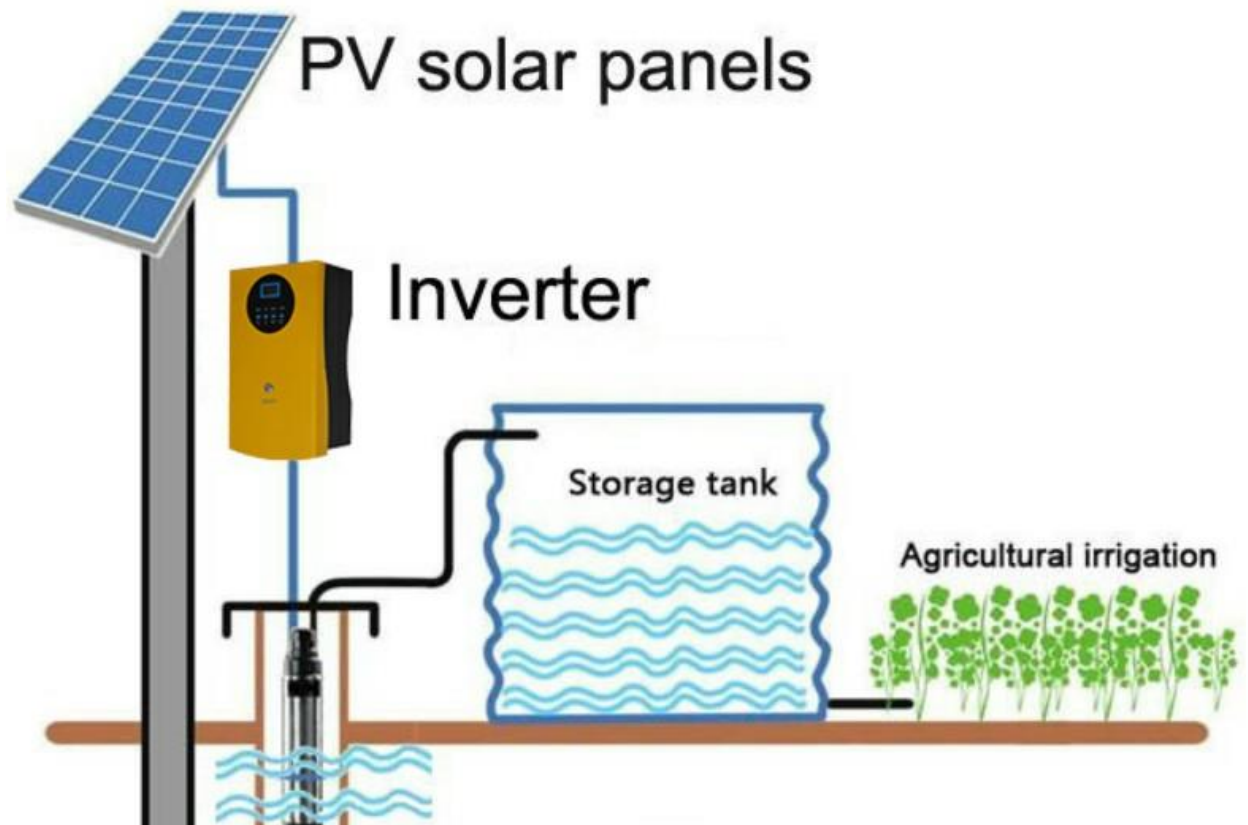
**Fixed Frame for Solar Panels**

- Universal design. For all types of panels
- Available in two, three, four & five rows
- Available in different gauges
- Hot dipped galvanized & Powder coated
- Available in Aluminum, GI, MS & SS materials
- Strong enough to withstand against wind speed of 160~175 km/h



**Note:** Picture/drawing for information only. Actual product may be vary according to specification of Annexure-1|

**MPPT Solar Inverter Function**



**Note:** Picture/drawing for information only. Actual product may be vary according to specification of Annexure-1|

## 5. Inspections and Tests

The following inspections and tests shall be performed:

1. The supplier should be delivered, installed and commissioned (need basis visits) against 25 year warranty of Solar System/Products with full satisfaction and acceptance of the Committee/ Department.
2. Project name and their logo/monogram should be labelled on all set of Solar System/Products and shall be properly well-organized protected boxes to prevent from any lost and damages etc.
3. The Inspection of the delivered/supplied, installed or other necessities formalities etc. of Solar System/products will be carried out by the Project Inspection Committee/ District Inspection Committee/Agriculture Research Station/Institute of Khyber Pakhtunkhwa wherein the above mentioned activities will be conducted.
4. The supply/demand of Solar System package (set) and its allied equipment may be increased or decreased, or altered subject to the availability of funds, structure/position of Tube Wells and other constraints.
5. Committee will ensure the quality & standard of the delivered above mentioned Solar System/Products as per technical specification (Annexure-01) noted in clauses.
6. The quality of delivered above mention Solar System/Products are to be standard and quality (Annexure-01) which will be checked by the inspection team and in case of defect the firm will be responsible for replacement of the unacceptable Solar system/products.



## **PART 3 - Contract**

# Section VIII - General Conditions of Contract

## Table of Clauses

- 1. Definitions.....76
- 2. Contract Documents.....77
- 3. Fraud and Corruption.....77
- 4. Interpretation.....77
- 5. Language .....78
- 6. Joint Venture, Consortium or Association.....79
- 7. Eligibility .....79
- 8. Notices.....79
- 9. Governing Law .....79
- 10. Settlement of Disputes .....80
- 11. Inspections and Audit by the Bank.....80
- 12. Scope of Supply .....81
- 13. Delivery and Documents .....81
- 14. Supplier’s Responsibilities .....81
- 15. Contract Price .....81
- 16. Terms of Payment.....81
- 17. Taxes and Duties.....81
- 18. Performance Security .....82
- 19. Copyright.....82
- 20. Confidential Information .....82
- 21. Subcontracting .....83

**22. Specifications and Standards.....83**

**23. Packing and Documents.....84**

**24. Insurance .....84**

**25. Transportation and Incidental Services .....85**

**26. Inspections and Tests.....85**

**27. Liquidated Damages.....86**

**28. Warranty .....87**

**29. Patent Indemnity .....87**

**30. Limitation of Liability .....89**

**31. Change in Laws and Regulations .....89**

**32. Force Majeure.....89**

**33. Change Orders and Contract Amendments .....90**

**34. Extensions of Time.....91**

**35. Termination.....92**

**36. Assignment .....93**

**37. Export Restriction .....93**

## Section VIII - General Conditions of Contract

### 1. Definitions

1.1 The following words and expressions shall have the meanings hereby assigned to them:

- (a) “Bank” means the World Bank and refers to the International Bank for Reconstruction and Development (IBRD) or the International Development Association (IDA).
- (b) “Contract” means the Contract Agreement entered into between the Purchaser and the Supplier, together with the Contract Documents referred to therein, including all attachments, appendices, and all documents incorporated by reference therein.
- (c) “Contract Documents” means the documents listed in the Contract Agreement, including any amendments thereto.
- (d) “Contract Price” means the price payable to the Supplier as specified in the Contract Agreement, subject to such additions and adjustments thereto or deductions therefrom, as may be made pursuant to the Contract.
- (e) “Day” means calendar day.
- (f) “Completion” means the fulfillment of the Related Services by the Supplier in accordance with the terms and conditions set forth in the Contract.
- (g) “GCC” means the General Conditions of Contract.
- (h) “Goods” means all of the commodities, raw material, machinery and equipment, and/or other materials that the Supplier is required to supply to the Purchaser under the Contract.
- (i) “Purchaser’s Country” is the country specified in the **Special Conditions of Contract (SCC)**.
- (j) “Purchaser” means the entity purchasing the Goods and Related Services, as **specified in the SCC**.
- (k) “Related Services” means the services incidental to the supply of the goods, such as insurance, installation, training and initial maintenance and other such obligations of the Supplier under the Contract.
- (l) “SCC” means the Special Conditions of Contract.

- (m) “Subcontractor” means any person, private or government entity, or a combination of the above, to whom any part of the Goods to be supplied or execution of any part of the Related Services is subcontracted by the Supplier.
- (n) “Supplier” means the person, private or government entity, or a combination of the above, whose Bid to perform the Contract has been accepted by the Purchaser and is named as such in the Contract Agreement.
- (o) “The Project Site,” where applicable, means the place named in the **SCC**.

**2. Contract Documents**

2.1 Subject to the order of precedence set forth in the Contract Agreement, all documents forming the Contract (and all parts thereof) are intended to be correlative, complementary, and mutually explanatory. The Contract Agreement shall be read as a whole.

**3. Fraud and Corruption**

- 3.1 The Bank requires compliance with the Bank’s Anti-Corruption Guidelines and its prevailing sanctions policies and procedures as set forth in the WBG’s Sanctions Framework, as set forth in Appendix to the GCC.
- 3.2 The Purchaser requires the Supplier to disclose any commissions or fees that may have been paid or are to be paid to agents or any other party with respect to the Bidding process or execution of the Contract. The information disclosed must include at least the name and address of the agent or other party, the amount and currency, and the purpose of the commission, gratuity or fee.

**4. Interpretation**

- 4.1 If the context so requires it, singular means plural and vice versa.
- 4.2 Incoterms
  - (a) Unless inconsistent with any provision of the Contract, the meaning of any trade term and the rights and obligations of parties thereunder shall be as prescribed by Incoterms **specified in the SCC**.
  - (b) The terms EXW, CIP, FCA, CFR and other similar terms, when used, shall be governed by the rules prescribed in the current edition of Incoterms specified in the **SCC** and published by the International Chamber of Commerce in Paris, France.
- 4.3 Entire Agreement

The Contract constitutes the entire agreement between the Purchaser and the Supplier and supersedes all communications, negotiations and agreements (whether written or oral) of the parties with respect thereto made prior to the date of Contract.

#### 4.4 Amendment

No amendment or other variation of the Contract shall be valid unless it is in writing, is dated, expressly refers to the Contract, and is signed by a duly authorized representative of each party thereto.

#### 4.5 Nonwaiver

(a) Subject to GCC Sub-Clause 4.5(b) below, no relaxation, forbearance, delay, or indulgence by either party in enforcing any of the terms and conditions of the Contract or the granting of time by either party to the other shall prejudice, affect, or restrict the rights of that party under the Contract, neither shall any waiver by either party of any breach of Contract operate as waiver of any subsequent or continuing breach of Contract.

(b) Any waiver of a party's rights, powers, or remedies under the Contract must be in writing, dated, and signed by an authorized representative of the party granting such waiver, and must specify the right and the extent to which it is being waived.

#### 4.6 Severability

If any provision or condition of the Contract is prohibited or rendered invalid or unenforceable, such prohibition, invalidity or unenforceability shall not affect the validity or enforceability of any other provisions and conditions of the Contract.

### 5. Language

5.1 The Contract as well as all correspondence and documents relating to the Contract exchanged by the Supplier and the Purchaser, shall be written in the language specified in the **SCC**. Supporting documents and printed literature that are part of the Contract may be in another language provided they are accompanied by an accurate translation of the relevant passages in the language specified, in which case, for purposes of interpretation of the Contract, this translation shall govern.

5.2 The Supplier shall bear all costs of translation to the governing language and all risks of the accuracy of such translation, for documents provided by the Supplier.

- 6. Joint Venture, Consortium or Association**
- 6.1 If the Supplier is a joint venture, consortium, or association, all of the parties shall be jointly and severally liable to the Purchaser for the fulfillment of the provisions of the Contract and shall designate one party to act as a leader with authority to bind the joint venture, consortium, or association. The composition or the constitution of the joint venture, consortium, or association shall not be altered without the prior consent of the Purchaser.
- 7. Eligibility**
- 7.1 The Supplier and its Subcontractors shall have the nationality of an eligible country. A Supplier or Subcontractor shall be deemed to have the nationality of a country if it is a citizen or constituted, incorporated, or registered, and operates in conformity with the provisions of the laws of that country.
- 7.2 All Goods and Related Services to be supplied under the Contract and financed by the Bank shall have their origin in Eligible Countries. For the purpose of this Clause, origin means the country where the goods have been grown, mined, cultivated, produced, manufactured, or processed; or through manufacture, processing, or assembly, another commercially recognized article results that differs substantially in its basic characteristics from its components.
- 8. Notices**
- 8.1 Any notice given by one party to the other pursuant to the Contract shall be in writing to the address specified in the **SCC**. The term “in writing” means communicated in written form with proof of receipt.
- 8.2 A notice shall be effective when delivered or on the notice’s effective date, whichever is later.
- 9. Governing Law**
- 9.1** The Contract shall be governed by and interpreted in accordance with the laws of the Purchaser’s Country, unless otherwise specified in the **SCC**.
- 9.2 Throughout the execution of the Contract, the Supplier shall comply with the import of goods and services prohibitions in the Purchaser’s Country when
- (a) as a matter of law or official regulations, the Borrower’s country prohibits commercial relations with that country; or
- 9.2 (b) by an act of compliance with a decision of the United Nations Security Council taken under Chapter VII of the Charter of the United Nations, the Borrower’s Country prohibits any import of goods from that country or any payments to any country, person, or entity in that country.

**10. Settlement of Disputes**

10.1 The Purchaser and the Supplier shall make every effort to resolve amicably by direct informal negotiation any disagreement or dispute arising between them under or in connection with the Contract.

10.2 If, after twenty-eight (28) days, the parties have failed to resolve their dispute or difference by such mutual consultation, then either the Purchaser or the Supplier may give notice to the other party of its intention to commence arbitration, as hereinafter provided, as to the matter in dispute, and no arbitration in respect of this matter may be commenced unless such notice is given. Any dispute or difference in respect of which a notice of intention to commence arbitration has been given in accordance with this Clause shall be finally settled by arbitration. Arbitration may be commenced prior to or after delivery of the Goods under the Contract. Arbitration proceedings shall be conducted in accordance with the rules of procedure specified in the SCC.

10.3 Notwithstanding any reference to arbitration herein,

- (a) the parties shall continue to perform their respective obligations under the Contract unless they otherwise agree; and
- (b) the Purchaser shall pay the Supplier any monies due the Supplier.

**11. Inspections and Audit by the Bank**

11.1 The Supplier shall keep, and shall make all reasonable efforts to cause its Subcontractors to keep, accurate and systematic accounts and records in respect of the Goods in such form and details as will clearly identify relevant time changes and costs.

11.2 Pursuant to paragraph 2.2 e. of Appendix to the General Conditions the Supplier shall permit and shall cause its subcontractors and subconsultants to permit, the Bank and/or persons appointed by the Bank to inspect the Site and/or the accounts and records relating to the procurement process, selection and/or contract execution, and to have such accounts and records audited by auditors appointed by the Bank if requested by the Bank. The Supplier's and its Subcontractors' and subconsultants' attention is drawn to Sub-Clause 3.1 which provides, inter alia, that acts intended to materially impede the exercise of the Bank's inspection and audit rights constitute a prohibited practice subject to contract termination (as well as to a determination of ineligibility pursuant to the Bank's prevailing sanctions procedures).



- 12. Scope of Supply** 12.1 The Goods and Related Services to be supplied shall be as specified in the Schedule of Requirements.
- 13. Delivery and Documents** 13.1 Subject to GCC Sub-Clause 33.1, the Delivery of the Goods and Completion of the Related Services shall be in accordance with the Delivery and Completion Schedule specified in the Schedule of Requirements. The details of shipping and other documents to be furnished by the Supplier are specified in the **SCC**.
- 14. Supplier's Responsibilities** 14.1 The Supplier shall supply all the Goods and Related Services included in the Scope of Supply in accordance with GCC Clause 12, and the Delivery and Completion Schedule, as per GCC Clause 13.
- 15. Contract Price** 15.1 Prices charged by the Supplier for the Goods supplied and the Related Services performed under the Contract shall not vary from the prices quoted by the Supplier in its Bid, with the exception of any price adjustments authorized in the **SCC**.
- 16. Terms of Payment** 16.1 The Contract Price, including any Advance Payments, if applicable, shall be paid as specified in the **SCC**.
- 16.2 The Supplier's request for payment shall be made to the Purchaser in writing, accompanied by invoices describing, as appropriate, the Goods delivered and Related Services performed, and by the documents submitted pursuant to GCC Clause 13 and upon fulfillment of all other obligations stipulated in the Contract.
- 16.3 Payments shall be made promptly by the Purchaser, but in no case later than sixty (60) days after submission of an invoice or request for payment by the Supplier, and after the Purchaser has accepted it.
- 16.4 The currencies in which payments shall be made to the Supplier under this Contract shall be those in which the Bid price is expressed.
- 16.5 In the event that the Purchaser fails to pay the Supplier any payment by its due date or within the period set forth in the **SCC**, the Purchaser shall pay to the Supplier interest on the amount of such delayed payment at the rate shown in the **SCC**, for the period of delay until payment has been made in full, whether before or after judgment or arbitration award.
- 17. Taxes and Duties** 17.1 For goods manufactured outside the Purchaser's Country, the Supplier shall be entirely responsible for all taxes, stamp duties,

license fees, and other such levies imposed outside the Purchaser's Country.

17.2 For goods Manufactured within the Purchaser's Country, the Supplier shall be entirely responsible for all taxes, duties, license fees, etc., incurred until delivery of the contracted Goods to the Purchaser.

17.3 If any tax exemptions, reductions, allowances or privileges may be available to the Supplier in the Purchaser's Country, the Purchaser shall use its best efforts to enable the Supplier to benefit from any such tax savings to the maximum allowable extent.

## **18. Performance Security**

**18.1** If required as specified in the SCC, the Supplier shall, within twenty-eight (28) days of the notification of contract award, provide a performance security for the performance of the Contract in the amount specified in the **SCC**.

18.2 The proceeds of the Performance Security shall be payable to the Purchaser as compensation for any loss resulting from the Supplier's failure to complete its obligations under the Contract.

18.3 As specified in the SCC, the Performance Security, if required, shall be denominated in the currency(ies) of the Contract, or in a freely convertible currency acceptable to the Purchaser; and shall be in one of the format stipulated by the Purchaser in the SCC, or in another format acceptable to the Purchaser.

**18.4** The Performance Security shall be discharged by the Purchaser and returned to the Supplier not later than twenty-eight (28) days following the date of Completion of the Supplier's performance obligations under the Contract, including any warranty obligations, unless specified otherwise in the **SCC**.

## **19. Copyright**

19.1 The copyright in all drawings, documents, and other materials containing data and information furnished to the Purchaser by the Supplier herein shall remain vested in the Supplier, or, if they are furnished to the Purchaser directly or through the Supplier by any third party, including suppliers of materials, the copyright in such materials shall remain vested in such third party

## **20. Confidential Information**

20.1 The Purchaser and the Supplier shall keep confidential and shall not, without the written consent of the other party hereto, divulge to any third party any documents, data, or other information furnished directly or indirectly by the other party hereto in connection with the Contract, whether such information has been furnished prior to, during or following completion or termination of the Contract. Notwithstanding the above, the Supplier may furnish to its Subcontractor such documents, data, and other

information it receives from the Purchaser to the extent required for the Subcontractor to perform its work under the Contract, in which event the Supplier shall obtain from such Subcontractor an undertaking of confidentiality similar to that imposed on the Supplier under GCC Clause 20.

20.2 The Purchaser shall not use such documents, data, and other information received from the Supplier for any purposes unrelated to the contract. Similarly, the Supplier shall not use such documents, data, and other information received from the Purchaser for any purpose other than the performance of the Contract.

20.3 The obligation of a party under GCC Sub-Clauses 20.1 and 20.2 above, however, shall not apply to information that:

- (a) the Purchaser or Supplier need to share with the Bank or other institutions participating in the financing of the Contract;
- (b) now or hereafter enters the public domain through no fault of that party;
- (c) can be proven to have been possessed by that party at the time of disclosure and which was not previously obtained, directly or indirectly, from the other party; or
- (d) otherwise lawfully becomes available to that party from a third party that has no obligation of confidentiality.

20.4 The above provisions of GCC Clause 20 shall not in any way modify any undertaking of confidentiality given by either of the parties hereto prior to the date of the Contract in respect of the Supply or any part thereof.

20.5 The provisions of GCC Clause 20 shall survive completion or termination, for whatever reason, of the Contract.

**21. Subcontracting** 21.1 The Supplier shall notify the Purchaser in writing of all subcontracts awarded under the Contract if not already specified in the Bid. Such notification, in the original Bid or later shall not relieve the Supplier from any of its obligations, duties, responsibilities, or liability under the Contract.

21.2 Subcontracts shall comply with the provisions of GCC Clauses 3 and 7.

**22. Specifications and Standards**

22.1 Technical Specifications and Drawings

- (a) The Goods and Related Services supplied under this Contract shall conform to the technical specifications and standards mentioned in Section VI, Schedule of Requirements and, when no applicable standard is mentioned, the standard shall be equivalent or superior to the official standards whose application is appropriate to the Goods' country of origin.
- (b) The Supplier shall be entitled to disclaim responsibility for any design, data, drawing, specification or other document, or any modification thereof provided or designed by or on behalf of the Purchaser, by giving a notice of such disclaimer to the Purchaser.
- (c) Wherever references are made in the Contract to codes and standards in accordance with which it shall be executed, the edition or the revised version of such codes and standards shall be those specified in the Schedule of Requirements. During Contract execution, any changes in any such codes and standards shall be applied only after approval by the Purchaser and shall be treated in accordance with GCC Clause 33.

### **23. Packing and Documents**

- 23.1 The Supplier shall provide such packing of the Goods as is required to prevent their damage or deterioration during transit to their final destination, as indicated in the Contract. During transit, the packing shall be sufficient to withstand, without limitation, rough handling and exposure to extreme temperatures, salt and precipitation, and open storage. Packing case size and weights shall take into consideration, where appropriate, the remoteness of the goods' final destination and the absence of heavy handling facilities at all points in transit.
- 23.2 The packing, marking, and documentation within and outside the packages shall comply strictly with such special requirements as shall be expressly provided for in the Contract, including additional requirements, if any, specified in the SCC, and in any other instructions ordered by the Purchaser.

### **24. Insurance**

- 24.1 Unless otherwise specified in the SCC, the Goods supplied under the Contract shall be fully insured—in a freely convertible currency from an eligible country—against loss or damage incidental to manufacture or acquisition, transportation, storage, and delivery, in accordance with the applicable Incoterms or in the manner specified in the SCC.

**25. Transportation and Incidental Services**

- 25.1 Unless otherwise specified in the **SCC**, responsibility for arranging transportation of the Goods shall be in accordance with the specified Incoterms.
- 25.2 The Supplier may be required to provide any or all of the following services, including additional services, if any, specified in SCC:
- (a) performance or supervision of on-site assembly and/or start-up of the supplied Goods;
  - (b) furnishing of tools required for assembly and/or maintenance of the supplied Goods;
  - (c) furnishing of a detailed operations and maintenance manual for each appropriate unit of the supplied Goods;
  - (d) performance or supervision or maintenance and/or repair of the supplied Goods, for a period of time agreed by the parties, provided that this service shall not relieve the Supplier of any warranty obligations under this Contract; and
  - (e) training of the Purchaser's personnel, at the Supplier's plant and/or on-site, in assembly, start-up, operation, maintenance, and/or repair of the supplied Goods.
- 25.3 Prices charged by the Supplier for incidental services, if not included in the Contract Price for the Goods, shall be agreed upon in advance by the parties and shall not exceed the prevailing rates charged to other parties by the Supplier for similar services

**26. Inspections and Tests**

- 26.1 The Supplier shall at its own expense and at no cost to the Purchaser carry out all such tests and/or inspections of the Goods and Related Services as are specified in the **SCC**.
- 26.2 The inspections and tests may be conducted on the premises of the Supplier or its Subcontractor, at point of delivery, and/or at the Goods' final destination, or in another place in the Purchaser's Country as specified in the **SCC**. Subject to GCC Sub-Clause 26.3, if conducted on the premises of the Supplier or its Subcontractor, all reasonable facilities and assistance, including access to drawings and production data, shall be furnished to the inspectors at no charge to the Purchaser.
- 26.3 The Purchaser or its designated representative shall be entitled to attend the tests and/or inspections referred to in GCC Sub-Clause 26.2, provided that the Purchaser bear all of its own costs and

expenses incurred in connection with such attendance including, but not limited to, all traveling and board and lodging expenses.

26.4 Whenever the Supplier is ready to carry out any such test and inspection, it shall give a reasonable advance notice, including the place and time, to the Purchaser. The Supplier shall obtain from any relevant third party or manufacturer any necessary permission or consent to enable the Purchaser or its designated representative to attend the test and/or inspection.

26.5 The Purchaser may require the Supplier to carry out any test and/or inspection not required by the Contract but deemed necessary to verify that the characteristics and performance of the Goods comply with the technical specifications codes and standards under the Contract, provided that the Supplier's reasonable costs and expenses incurred in the carrying out of such test and/or inspection shall be added to the Contract Price. Further, if such test and/or inspection impedes the progress of manufacturing and/or the Supplier's performance of its other obligations under the Contract, due allowance will be made in respect of the Delivery Dates and Completion Dates and the other obligations so affected.

26.6 The Supplier shall provide the Purchaser with a report of the results of any such test and/or inspection.

26.7 The Purchaser may reject any Goods or any part thereof that fail to pass any test and/or inspection or do not conform to the specifications. The Supplier shall either rectify or replace such rejected Goods or parts thereof or make alterations necessary to meet the specifications at no cost to the Purchaser, and shall repeat the test and/or inspection, at no cost to the Purchaser, upon giving a notice pursuant to GCC Sub-Clause 26.4.

26.8 The Supplier agrees that neither the execution of a test and/or inspection of the Goods or any part thereof, nor the attendance by the Purchaser or its representative, nor the issue of any report pursuant to GCC Sub-Clause 26.6, shall release the Supplier from any warranties or other obligations under the Contract.

## **27. Liquidated Damages**

27.1 Except as provided under GCC Clause 32, if the Supplier fails to deliver any or all of the Goods by the Date(s) of delivery or perform the Related Services within the period specified in the Contract, the Purchaser may without prejudice to all its other remedies under the Contract, deduct from the Contract Price, as liquidated damages, a sum equivalent to the percentage specified in the SCC of the delivered price of the delayed Goods or unperformed Services for each week or part thereof of delay until

actual delivery or performance, up to a maximum deduction of the percentage specified in those **SCC**. Once the maximum is reached, the Purchaser may terminate the Contract pursuant to GCC Clause 35.

## **28. Warranty**

28.1 The Supplier warrants that all the Goods are new, unused, and of the most recent or current models, and that they incorporate all recent improvements in design and materials, unless provided otherwise in the Contract.

28.2 Subject to GCC Sub-Clause 22.1(b), the Supplier further warrants that the Goods shall be free from defects arising from any act or omission of the Supplier or arising from design, materials, and workmanship, under normal use in the conditions prevailing in the country of final destination.

28.3 Unless otherwise specified in the **SCC**, the warranty shall remain valid for twelve (12) months after the Goods, or any portion thereof as the case may be, have been delivered to and accepted at the final destination indicated in the **SCC**, or for eighteen (18) months after the date of shipment from the port or place of loading in the country of origin, whichever period concludes earlier.

28.4 The Purchaser shall give notice to the Supplier stating the nature of any such defects together with all available evidence thereof, promptly following the discovery thereof. The Purchaser shall afford all reasonable opportunity for the Supplier to inspect such defects.

28.5 Upon receipt of such notice, the Supplier shall, within the period specified in the **SCC**, expeditiously repair or replace the defective Goods or parts thereof, at no cost to the Purchaser.

28.6 If having been notified, the Supplier fails to remedy the defect within the period specified in the **SCC**, the Purchaser may proceed to take within a reasonable period such remedial action as may be necessary, at the Supplier's risk and expense and without prejudice to any other rights which the Purchaser may have against the Supplier under the Contract.

## **29. Patent Indemnity**

29.1 The Supplier shall, subject to the Purchaser's compliance with GCC Sub-Clause 29.2, indemnify and hold harmless the Purchaser and its employees and officers from and against any and all suits, actions or administrative proceedings, claims, demands, losses, damages, costs, and expenses of any nature, including attorney's fees and expenses, which the Purchaser may suffer as a result of any infringement or alleged infringement of

any patent, utility model, registered design, trademark, copyright, or other intellectual property right registered or otherwise existing at the date of the Contract by reason of:

- (a) the installation of the Goods by the Supplier or the use of the Goods in the country where the Site is located; and
- (b) the sale in any country of the products produced by the Goods.

Such indemnity shall not cover any use of the Goods or any part thereof other than for the purpose indicated by or to be reasonably inferred from the Contract, neither any infringement resulting from the use of the Goods or any part thereof, or any products produced thereby in association or combination with any other equipment, plant, or materials not supplied by the Supplier, pursuant to the Contract.

29.2 If any proceedings are brought or any claim is made against the Purchaser arising out of the matters referred to in GCC Sub-Clause 29.1, the Purchaser shall promptly give the Supplier a notice thereof, and the Supplier may at its own expense and in the Purchaser's name conduct such proceedings or claim and any negotiations for the settlement of any such proceedings or claim.

29.3 If the Supplier fails to notify the Purchaser within twenty-eight (28) days after receipt of such notice that it intends to conduct any such proceedings or claim, then the Purchaser shall be free to conduct the same on its own behalf.

29.4 The Purchaser shall, at the Supplier's request, afford all available assistance to the Supplier in conducting such proceedings or claim, and shall be reimbursed by the Supplier for all reasonable expenses incurred in so doing.

29.5 The Purchaser shall indemnify and hold harmless the Supplier and its employees, officers, and Subcontractors from and against any and all suits, actions or administrative proceedings, claims, demands, losses, damages, costs, and expenses of any nature, including attorney's fees and expenses, which the Supplier may suffer as a result of any infringement or alleged infringement of any patent, utility model, registered design, trademark, copyright, or other intellectual property right registered or otherwise existing at the date of the Contract arising out of or in connection with any design, data, drawing, specification, or other documents or materials provided or designed by or on behalf of the Purchaser.



- 30. Limitation of Liability**
- 30.1 Except in cases of criminal negligence or willful misconduct,
- (a) the Supplier shall not be liable to the Purchaser, whether in contract, tort, or otherwise, for any indirect or consequential loss or damage, loss of use, loss of production, or loss of profits or interest costs, provided that this exclusion shall not apply to any obligation of the Supplier to pay liquidated damages to the Purchaser and
  - (b) the aggregate liability of the Supplier to the Purchaser, whether under the Contract, in tort or otherwise, shall not exceed the total Contract Price, provided that this limitation shall not apply to the cost of repairing or replacing defective equipment, or to any obligation of the supplier to indemnify the Purchaser with respect to patent infringement
- 31. Change in Laws and Regulations**
- 31.1 Unless otherwise specified in the Contract, if after the date of 28 days prior to date of Bid submission, any law, regulation, ordinance, order or bylaw having the force of law is enacted, promulgated, abrogated, or changed in the place of the Purchaser's Country where the Site is located (which shall be deemed to include any change in interpretation or application by the competent authorities) that subsequently affects the Delivery Date and/or the Contract Price, then such Delivery Date and/or Contract Price shall be correspondingly increased or decreased, to the extent that the Supplier has thereby been affected in the performance of any of its obligations under the Contract. Notwithstanding the foregoing, such additional or reduced cost shall not be separately paid or credited if the same has already been accounted for in the price adjustment provisions where applicable, in accordance with GCC Clause 15.
- 32. Force Majeure**
- 32.1 The Supplier shall not be liable for forfeiture of its Performance Security, liquidated damages, or termination for default if and to the extent that its delay in performance or other failure to perform its obligations under the Contract is the result of an event of Force Majeure.
- 32.2 For purposes of this Clause, "Force Majeure" means an event or situation beyond the control of the Supplier that is not foreseeable, is unavoidable, and its origin is not due to negligence or lack of care on the part of the Supplier. Such events may include, but not be limited to, acts of the Purchaser in its sovereign capacity, wars or revolutions, fires, floods, epidemics, quarantine restrictions, and freight embargoes.

- 32.3 If a Force Majeure situation arises, the Supplier shall promptly notify the Purchaser in writing of such condition and the cause thereof. Unless otherwise directed by the Purchaser in writing, the Supplier shall continue to perform its obligations under the Contract as far as is reasonably practical, and shall seek all reasonable alternative means for performance not prevented by the Force Majeure event.
- 33. Change Orders and Contract Amendments**
- 33.1 The Purchaser may at any time order the Supplier through notice in accordance GCC Clause 8, to make changes within the general scope of the Contract in any one or more of the following:
- (a) drawings, designs, or specifications, where Goods to be furnished under the Contract are to be specifically manufactured for the Purchaser;
  - (b) the method of shipment or packing;
  - (c) the place of delivery; and
  - (d) the Related Services to be provided by the Supplier.
- 33.2 If any such change causes an increase or decrease in the cost of, or the time required for, the Supplier's performance of any provisions under the Contract, an equitable adjustment shall be made in the Contract Price or in the Delivery/Completion Schedule, or both, and the Contract shall accordingly be amended. Any claims by the Supplier for adjustment under this Clause must be asserted within twenty-eight (28) days from the date of the Supplier's receipt of the Purchaser's change order.
- 33.3 Prices to be charged by the Supplier for any Related Services that might be needed but which were not included in the Contract shall be agreed upon in advance by the parties and shall not exceed the prevailing rates charged to other parties by the Supplier for similar services.
- 33.4 **Value Engineering:** The Supplier may prepare, at its own cost, a value engineering proposal at any time during the performance of the contract. The value engineering proposal shall, at a minimum, include the following;
- (a) the proposed change(s), and a description of the difference to the existing contract requirements;
  - (b) a full cost/benefit analysis of the proposed change(s) including a description and estimate of costs

(including life cycle costs) the Purchaser may incur in implementing the value engineering proposal; and

- (c) a description of any effect(s) of the change on performance/functionality.

The Purchaser may accept the value engineering proposal if the proposal demonstrates benefits that:

- (a) accelerates the delivery period; or
- (b) reduces the Contract Price or the life cycle costs to the Purchaser; or
- (c) improves the quality, efficiency or sustainability of the Goods; or
- (d) yields any other benefits to the Purchaser,

without compromising the necessary functions of the Facilities.

If the value engineering proposal is approved by the Purchaser and results in:

- (a) a reduction of the Contract Price; the amount to be paid to the Supplier shall be the percentage specified **in the PCC** of the reduction in the Contract Price; or
- (b) an increase in the Contract Price; but results in a reduction in life cycle costs due to any benefit described in (a) to (d) above, the amount to be paid to the Supplier shall be the full increase in the Contract Price.

33.5 Subject to the above, no variation in or modification of the terms of the Contract shall be made except by written amendment signed by the parties.

#### **34. Extensions of Time**

34.1 If at any time during performance of the Contract, the Supplier or its subcontractors should encounter conditions impeding timely delivery of the Goods or completion of Related Services pursuant to GCC Clause 13, the Supplier shall promptly notify the Purchaser in writing of the delay, its likely duration, and its cause. As soon as practicable after receipt of the Supplier's notice, the Purchaser shall evaluate the situation and may at its discretion extend the Supplier's time for performance, in which case the extension shall be ratified by the parties by amendment of the Contract.

34.2 Except in case of Force Majeure, as provided under GCC Clause 32, a delay by the Supplier in the performance of its Delivery and Completion obligations shall render the Supplier liable to the imposition of liquidated damages pursuant to GCC Clause 26, unless an extension of time is agreed upon, pursuant to GCC Sub-Clause 34.1.

## **35. Termination**

### **35.1 Termination for Default**

- (a) The Purchaser, without prejudice to any other remedy for breach of Contract, by written notice of default sent to the Supplier, may terminate the Contract in whole or in part:
  - (i) if the Supplier fails to deliver any or all of the Goods within the period specified in the Contract, or within any extension thereof granted by the Purchaser pursuant to GCC Clause 34;
  - (ii) if the Supplier fails to perform any other obligation under the Contract; or
  - (iii) if the Supplier, in the judgment of the Purchaser has engaged in Fraud and Corruption, as defined in paragraph 2.2 a of the Appendix to the GCC, in competing for or in executing the Contract.
- (b) In the event the Purchaser terminates the Contract in whole or in part, pursuant to GCC Clause 35.1(a), the Purchaser may procure, upon such terms and in such manner as it deems appropriate, Goods or Related Services similar to those undelivered or not performed, and the Supplier shall be liable to the Purchaser for any additional costs for such similar Goods or Related Services. However, the Supplier shall continue performance of the Contract to the extent not terminated.

### **35.2 Termination for Insolvency.**

- (a) The Purchaser may at any time terminate the Contract by giving notice to the Supplier if the Supplier becomes bankrupt or otherwise insolvent. In such event, termination will be without compensation to the Supplier, provided that such termination will not prejudice or affect any right of action or remedy that has accrued or will accrue thereafter to the Purchaser

### **35.3 Termination for Convenience.**

- (a) The Purchaser, by notice sent to the Supplier, may terminate the Contract, in whole or in part, at any time for its convenience. The notice of termination shall specify that termination is for the Purchaser’s convenience, the extent to which performance of the Supplier under the Contract is terminated, and the date upon which such termination becomes effective.
- (b) The Goods that are complete and ready for shipment within twenty-eight (28) days after the Supplier’s receipt of notice of termination shall be accepted by the Purchaser at the Contract terms and prices. For the remaining Goods, the Purchaser may elect:
  - (i) to have any portion completed and delivered at the Contract terms and prices; and/or
  - (ii) to cancel the remainder and pay to the Supplier an agreed amount for partially completed Goods and Related Services and for materials and parts previously procured by the Supplier.

**36. Assignment**

36.1 Neither the Purchaser nor the Supplier shall assign, in whole or in part, their obligations under this Contract, except with prior written consent of the other party.

**37. Export  
Restriction**

37.1 Notwithstanding any obligation under the Contract to complete all export formalities, any export restrictions attributable to the Purchaser, to the country of the Purchaser, or to the use of the products/goods, systems or services to be supplied, which arise from trade regulations from a country supplying those products/goods, systems or services, and which substantially impede the Supplier from meeting its obligations under the Contract, shall release the Supplier from the obligation to provide deliveries or services, always provided, however, that the Supplier can demonstrate to the satisfaction of the Purchaser and of the Bank that it has completed all formalities in a timely manner, including applying for permits, authorizations and licenses necessary for the export of the products/goods, systems or services under the terms of the Contract. Termination of the Contract on this basis shall be for the Purchaser’s convenience pursuant to Sub-Clause 35.3.

## APPENDIX TO GENERAL CONDITIONS

### Fraud and Corruption

*(Text in this Appendix shall not be modified)*

#### 1. Purpose

1.1 The Bank’s Anti-Corruption Guidelines and this annex apply with respect to procurement under Bank Investment Project Financing operations.

#### 2. Requirements

2.1 The Bank requires that Borrowers (including beneficiaries of Bank financing); bidders (applicants/proposers), consultants, contractors and suppliers; any sub-contractors, sub-consultants, service providers or suppliers; any agents (whether declared or not); and any of their personnel, observe the highest standard of ethics during the procurement process, selection and contract execution of Bank-financed contracts, and refrain from Fraud and Corruption.

2.2 To this end, the Bank:

- a. Defines, for the purposes of this provision, the terms set forth below as follows:
  - i. “corrupt practice” is the offering, giving, receiving, or soliciting, directly or indirectly, of anything of value to influence improperly the actions of another party;
  - ii. “fraudulent practice” is any act or omission, including misrepresentation, that knowingly or recklessly misleads, or attempts to mislead, a party to obtain financial or other benefit or to avoid an obligation;
  - iii. “collusive practice” is an arrangement between two or more parties designed to achieve an improper purpose, including to influence improperly the actions of another party;
  - iv. “coercive practice” is impairing or harming, or threatening to impair or harm, directly or indirectly, any party or the property of the party to influence improperly the actions of a party;
  - v. “obstructive practice” is:
    - (a) deliberately destroying, falsifying, altering, or concealing of evidence material to the investigation or making false statements to investigators in order to materially impede a Bank investigation into allegations of a corrupt, fraudulent, coercive, or collusive practice; and/or threatening, harassing, or intimidating any party to prevent it from disclosing its knowledge of matters relevant to the investigation or from pursuing the investigation; or
    - (b) acts intended to materially impede the exercise of the Bank’s inspection and audit rights provided for under paragraph 2.2 e. below.

- b. Rejects a proposal for award if the Bank determines that the firm or individual recommended for award, any of its personnel, or its agents, or its sub-consultants, sub-contractors, service providers, suppliers and/ or their employees, has, directly or indirectly, engaged in corrupt, fraudulent, collusive, coercive, or obstructive practices in competing for the contract in question;
- c. In addition to the legal remedies set out in the relevant Legal Agreement, may take other appropriate actions, including declaring misprocurement, if the Bank determines at any time that representatives of the Borrower or of a recipient of any part of the proceeds of the loan engaged in corrupt, fraudulent, collusive, coercive, or obstructive practices during the procurement process, selection and/or execution of the contract in question, without the Borrower having taken timely and appropriate action satisfactory to the Bank to address such practices when they occur, including by failing to inform the Bank in a timely manner at the time they knew of the practices;
- d. Pursuant to the Bank's Anti- Corruption Guidelines and in accordance with the Bank's prevailing sanctions policies and procedures, may sanction a firm or individual, either indefinitely or for a stated period of time, including by publicly declaring such firm or individual ineligible (i) to be awarded or otherwise benefit from a Bank-financed contract, financially or in any other manner;<sup>1</sup> (ii) to be a nominated<sup>2</sup> sub-contractor, consultant, manufacturer or supplier, or service provider of an otherwise eligible firm being awarded a Bank-financed contract; and (iii) to receive the proceeds of any loan made by the Bank or otherwise to participate further in the preparation or implementation of any Bank-financed project;
- e. Requires that a clause be included in bidding/request for proposals documents and in contracts financed by a Bank loan, requiring (i) bidders (applicants/proposers), consultants, contractors, and suppliers, and their sub-contractors, sub-consultants, service providers, suppliers, agents personnel, permit the Bank to inspect<sup>3</sup> all accounts, records and other documents relating to the procurement process, selection and/or contract execution, and to have them audited by auditors appointed by the Bank.

---

<sup>1</sup> For the avoidance of doubt, a sanctioned party's ineligibility to be awarded a contract shall include, without limitation, (i) applying for pre-qualification, expressing interest in a consultancy, and bidding, either directly or as a nominated sub-contractor, nominated consultant, nominated manufacturer or supplier, or nominated service provider, in respect of such contract, and (ii) entering into an addendum or amendment introducing a material modification to any existing contract.

<sup>2</sup> A nominated sub-contractor, nominated consultant, nominated manufacturer or supplier, or nominated service provider (different names are used depending on the particular bidding document) is one which has been: (i) included by the bidder in its pre-qualification application or bid because it brings specific and critical experience and know-how that allow the bidder to meet the qualification requirements for the particular bid; or (ii) appointed by the Borrower.

<sup>3</sup> Inspections in this context usually are investigative (i.e., forensic) in nature. They involve fact-finding activities undertaken by the Bank or persons appointed by the Bank to address specific matters related to investigations/audits, such as evaluating the veracity of an allegation of possible Fraud and Corruption, through the appropriate mechanisms. Such activity includes but is not limited to: accessing and examining a firm's or individual's financial records and information, and making copies thereof as relevant; accessing and examining any other documents, data and information (whether in hard copy or electronic format) deemed relevant for the investigation/audit, and making copies thereof as relevant; interviewing staff and other relevant individuals; performing physical inspections and site visits; and obtaining third party verification of information.





## Section IX - Special Conditions of Contract

The following Special Conditions of Contract (SCC) shall supplement and / or amend the General Conditions of Contract (GCC). Whenever there is a conflict, the provisions herein shall prevail over those in the GCC.

<b>GCC 1.1(i)</b>	The Purchaser's Country is: <b>Pakistan</b>
<b>GCC 1.1(j)</b>	The Purchaser is: <b>Agriculture Department, Government of Khyber Pakhtunkhwa.</b>
<b>GCC 1.1 (o)</b>	<p>The Project Site/Final Destination is <b>Khyber Pakhtunkhwa including.</b></p> <p>There are total six (6) number of Germplasm Units (GPUs) at Agriculture Research Institutes/ Stations of Khyber Pakhtunkhwa and complete package (Set) will be supplied, installed and commissioned (need basis visits) by firm on exact location at each Germplasm Unit (GPU) in the following potential Districts;</p> <ol style="list-style-type: none"> <li>1. GPU at Sherkhana, Malakand sub-unit of ARI Tarnab</li> <li>2. GPU at Biakan, Matta, upper Swat sub unit of ARI, Swat</li> <li>3. GPU at Kalam Summer Station Kas, Nazim Abad, sub unit of ARI Swat</li> <li>4. GPU at Rukhzandani, Kotla Saydan sub unit of ARI, DIKhan</li> <li>5. GPU at pannian Haripur sub unit of HARS Abbottabad</li> <li>6. GPU at Jabba Mansehra sub unit of HARS Abbottabad</li> </ol>
<b>GCC 4.2 (a)</b>	The meaning of the trade terms shall be as prescribed by Incoterms. If the meaning of any trade term and the rights and obligations of the parties thereunder shall not be as prescribed by Incoterms, they shall be as prescribed by: <b>DDP</b>
<b>GCC 4.2 (b)</b>	The version edition of Incoterms shall be the latest version issued by the international chamber of commerce.
<b>GCC 5.1</b>	The language shall be: English
<b>GCC 8.1</b>	<p>For <b>notices</b>, the Purchaser's address shall be:</p> <p>Attention:  The Project Director,  Climate Resilience Through Horticultural Interventions in Khyber Pakhtunkhwa  Directorate General Agriculture Extension Khyber Pakhtunkhwa Opposite  Islamia College, University Road, Peshawar.  Phone: (091-9224223)  E-Mail: <a href="mailto:pmu.crthi@gmail.com">pmu.crthi@gmail.com</a></p>
<b>GCC 9.1</b>	The governing law shall be the law of Islamic Republic of Pakistan

<b>GCC 10.2</b>	In the case of a dispute between the Purchaser and a Supplier who is a national of the Purchaser's Country, the dispute shall be referred to arbitration in accordance with Arbitration Laws of 1940 of Islamic Republic of Pakistan The place of arbitration will be Peshawar Pakistan
<b>GCC 13.1</b>	Not Applicable
<b>GCC 15.1</b>	The prices charged for the Goods supplied and the related Services performed " <i>shall not,</i> " be adjustable.
<b>GCC 16.1</b>	GCC 16.1—The method and conditions of payment to be made to the Supplier in PKR under this Contract shall be as follows:  <ul style="list-style-type: none"> <li>- Satisfactory delivery, installation and commissioning (need basis visits against 25 year warranty by the firm on exact location) certificate from the concerned Director Agriculture Research Institute/Station of Khyber Pakhtunkhwa will be issued/delivered at the end of task/job.</li> <li>- Invoices.</li> <li>- Delivery Challan.</li> <li>- All applicable taxes will be deducted at source.</li> <li>- Payment will be made in 30 days.</li> </ul>
<b>GCC 16.2</b>	The Supplier's request for payment shall be made to the Purchase in writing, accompanied by invoices describing, as appropriate, the Goods delivered and Related Services performed, and by the documents submitted pursuant to GCC Clause 13 and upon fulfillment of all other obligations stipulated in the Contract.
<b>GCC 18.1</b>	Supplier shall, within twenty-eight (28) days of the notification of contract award, provide a performance security for the performance of the 10% of the contract price.
<b>GCC 18.3</b>	The performance security shall be in the form of unconditional bank guarantee equivalent to 10% of the contract price or will retain the same from the invoice of the supplier for 06 months satisfactory performance certificate issued by concerned Agriculture Research Station/Institute of KP.
<b>GCC 18.4</b>	Discharge of performance security shall take place.  <ol style="list-style-type: none"> <li>1. After supply &amp; acceptance of Solar System/Products installation, testing and commissioning (need basis visits) against 25 year warranty.</li> <li>2. Submission of Indemnity Bond (standard and good quality).</li> </ol>

<b>GCC 23.2</b>	<p>The supplier should be delivered, installed and commissioned (need basis visits) against 25 years warranty Solar System/Products with full satisfaction and acceptance of the Committee/Department.</p> <p>Project name and their logo/monogram should be labelled on all set of Solar System/Products.</p> <p>All set of Solar System/Products should be acceptable to the department and the selection/choice of the department shall be final.</p> <p>The supply/demand of Solar System package (set) and its allied equipment may be increased or decreased, or altered subject to the availability of funds, structure/position of Tube Wells and other constraints.</p> <p>Bidder should justify the specification with appropriate lab test reports/certifications from the principle manufacturer will be provided.</p>
<b>GCC 25.1</b>	<p>Responsibility for transportation, installation, Testing and commissioning of the solar system/products shall be as follows:</p> <p>“The Supplier is required under the Contract to supply/transport, install and commissioning against 25 years warranty of Solar System/Products to a specified place of final destination, defined as the project site, transport to such place of destination, shall be arranged by the supplier, and related costs shall be included in the Contract Price”.</p>
<b>GCC 26.2</b>	<ol style="list-style-type: none"> <li>1. GPU at Sherkhana, Malakand sub-unit of ARI Tarnab</li> <li>2. GPU at Biakan, Matta, upper Swat sub unit of ARI, Swat</li> <li>3. GPU at Kalam Summer Station Kas, Nazim Abad, sub unit of ARI Swat</li> <li>4. GPU at Rukhzandani, Kotla Saydan sub unit of ARI, DIKhan</li> <li>5. GPU at Pannian Haripur sub unit of HARS Abbottabad</li> <li>6. GPU at Jabba Mansehra sub unit of HARS Abbottabad</li> </ol>
<b>GCC 27.1</b>	<p>In case of late delivery the liquidated damages will be 0.5% to 10% per day of the contract value/price shall be imposed from the delivery late beyond the 30 days after the agreed date of supply and installation.</p>
<b>GCC 27.1</b>	<p>Maximum amount of liquidity damages shall be 10% of the contract value.</p>
<b>GCC 28.3</b>	<p>Warranty: 25 years from the date of Commission and Handing over of the system to the concerned Agriculture Research Station/Institute of KP.</p>

## Attachment: Price Adjustment Formula (Not Applicable)

If in accordance with GCC 15.1, prices shall be adjustable, the following method shall be used to calculate the price adjustment:

- 15.1 Prices payable to the Supplier, as stated in the Contract, shall be subject to adjustment during performance of the Contract to reflect changes in the cost of labor and material components in accordance with the formula:

$$P_1 = P_0 \left[ a + \frac{bL_1}{L_0} + \frac{cM_1}{M_0} \right] - P_0$$

$$a+b+c = 1$$

in which:

- $P_1$  = adjustment amount payable to the Supplier.  
 $P_0$  = Contract Price (base price).  
 $a$  = fixed element representing profits and overheads included in the Contract Price and generally in the range of five (5) to fifteen (15) percent.  
 $b$  = estimated percentage of labor component in the Contract Price.  
 $c$  = estimated percentage of material component in the Contract Price.  
 $L_0, L_1$  = \*labor indices applicable to the appropriate industry in the country of origin on the base date and date for adjustment, respectively.  
 $M_0, M_1$  = \*material indices for the major raw material on the base date and date for adjustment, respectively, in the country of origin.

The Bidder shall indicate the source of the indices, and the source of exchange rate (if applicable) and the base date indices in its Bid.

The coefficients a, b, and c as specified by the Purchaser are as follows:

$a = [insert\ value\ of\ coefficient]$

$b = [insert\ value\ of\ coefficient]$

$c = [insert\ value\ of\ coefficient]$

Base date = thirty (30) days prior to the deadline for submission of the Bids.

Date of adjustment =  $[insert\ number\ of\ weeks]$  weeks prior to date of shipment (representing the mid-point of the period of manufacture).

The above price adjustment formula shall be invoked by either party subject to the following further conditions:

- (a) No price adjustment shall be allowed beyond the original delivery dates. As a rule, no price adjustment shall be allowed for periods of delay for which the Supplier is entirely responsible. The Purchaser will, however, be entitled to any decrease in the prices of the Goods and Services subject to adjustment.

- (b) If the currency in which the Contract Price  $P_0$  is expressed is different from the currency of origin of the labor and material indices, a correction factor will be applied to avoid incorrect adjustments of the Contract Price. The correction factor shall be:  $Z_0 / Z_1$ , where,

$Z_0$  = the number of units of currency of the origin of the indices which equal to one unit of the currency of the Contract Price  $P_0$  on the Base date,  
and

$Z_1$  = the number of units of currency of the origin of the indices which equal to one unit of the currency of the Contract Price  $P_0$  on the Date of Adjustment.

- (c) No price adjustment shall be payable on the portion of the Contract Price paid to the Supplier as advance payment.



# Section X - Contract Forms

## Table of Forms

<b>Notification of Intention to Award.....</b>	<b>104</b>
<b>Beneficial Ownership Disclosure Form .....</b>	<b>108</b>
<b>Letter of Acceptance.....</b>	<b>110</b>
<b>Contract Agreement .....</b>	<b>111</b>
<b>Performance Security .....</b>	<b>113</b>
<b>Advance Payment Security .....</b>	<b>117</b>

## Notification of Intention to Award

**[This Notification of Intention to Award shall be sent to each Bidder that submitted a Bid.]**

**[Send this Notification to the Bidder's Authorized Representative named in the Bidder Information Form]**

For the attention of Bidder's Authorized Representative

Name: *[insert Authorized Representative's name]*

Address: *[insert Authorized Representative's Address]*

Telephone/Fax numbers: *[insert Authorized Representative's telephone/fax numbers]*

Email Address: *[insert Authorized Representative's email address]*

**[IMPORTANT: insert the date that this Notification is transmitted to Bidders. The Notification must be sent to all Bidders simultaneously. This means on the same date and as close to the same time as possible.]**

**DATE OF TRANSMISSION:** This Notification is sent by: *[email/fax]* on *[date]* (local time)

## Notification of Intention to Award

**Purchaser:** *[insert the name of the Purchaser]*

**Project:** *[insert name of project]*

**Contract title:** *[insert the name of the contract]*

**Country:** *[insert country where RFB is issued]*

**Loan No. /Credit No. / Grant No.:** *[insert reference number for loan/credit/grant]*

**RFB No:** *[insert RFB reference number from Procurement Plan]*

This Notification of Intention to Award (Notification) notifies you of our decision to award the above contract. The transmission of this Notification begins the Standstill Period. During the Standstill Period you may:

- a) request a debriefing in relation to the evaluation of your Bid, and/or
- b) submit a Procurement-related Complaint in relation to the decision to award the contract.

### 1. The successful Bidder

<b>Name:</b>	<i>[insert name of successful Bidder]</i>
<b>Address:</b>	<i>[insert address of the successful Bidder]</i>
<b>Contract price:</b>	<i>[insert contract price of the successful Bid]</i>



**2. Other Bidders** *[INSTRUCTIONS: insert names of all Bidders that submitted a Bid. If the Bid's price was evaluated include the evaluated price as well as the Bid price as read out.]*

Name of Bidder	Bid price	Evaluated Bid price (if applicable)
[insert name]	[insert Bid price]	[insert evaluated price]
[insert name]	[insert Bid price]	[insert evaluated price]
[insert name]	[insert Bid price]	[insert evaluated price]
[insert name]	[insert Bid price]	[insert evaluated price]
[insert name]	[insert Bid price]	[insert evaluated price]

**3. Reason/s why your Bid was unsuccessful**

*[INSTRUCTIONS: State the reason/s why this Bidder's Bid was unsuccessful. Do NOT include: (a) a point by point comparison with another Bidder's Bid or (b) information that is marked confidential by the Bidder in its Bid.]*

**4. How to request a debriefing**

**DEADLINE:** The deadline to request a debriefing expires at midnight on [insert date] (local time).

You may request a debriefing in relation to the results of the evaluation of your Bid. If you decide to request a debriefing your written request must be made within three (3) Business Days of receipt of this Notification of Intention to Award.

Provide the contract name, reference number, name of the Bidder, contact details; and address the request for debriefing as follows:

**Attention:** [insert full name of person, if applicable]

**Title/position:** [insert title/position]

**Agency:** [insert name of Purchaser]

**Email address:** [insert email address]

**Fax number:** [insert fax number] *delete if not used*

If your request for a debriefing is received within the 3 Business Days deadline, we will provide the debriefing within five (5) Business Days of receipt of your request. If we are unable to provide the debriefing within this period, the Standstill Period shall be extended by five (5) Business Days after the date that the debriefing is provided. If this happens, we will notify you and confirm the date that the extended Standstill Period will end.

The debriefing may be in writing, by phone, video conference call or in person. We shall promptly advise you in writing how the debriefing will take place and confirm the date and time.

If the deadline to request a debriefing has expired, you may still request a debriefing. In this case, we will provide the debriefing as soon as practicable, and normally no later than fifteen (15) Business Days from the date of publication of the Contract Award Notice.

## 5. How to make a complaint

**Period: Procurement-related Complaint challenging the decision to award shall be submitted by midnight, [insert date] (local time).**

Provide the contract name, reference number, name of the Bidder, contact details; and address the Procurement-related Complaint as follows:

**Attention:** [insert full name of person, if applicable]

**Title/position:** [insert title/position]

**Agency:** [insert name of Purchaser]

**Email address:** [insert email address]

**Fax number:** [insert fax number] *delete if not used*

At this point in the procurement process, you may submit a Procurement-related Complaint challenging the decision to award the contract. You do not need to have requested, or received, a debriefing before making this complaint. Your complaint must be submitted within the Standstill Period and received by us before the Standstill Period ends.

### Further information:

For more information see the [Procurement Regulations for IPF Borrowers \(Procurement Regulations\)\[https://policies.worldbank.org/sites/ppf3/PPFDocuments/Forms/DispPage.aspx?docid=4005\]](https://policies.worldbank.org/sites/ppf3/PPFDocuments/Forms/DispPage.aspx?docid=4005) (Annex III). You should read these provisions before preparing and submitting your complaint. In addition, the World Bank’s Guidance “[How to make a Procurement-related Complaint](http://www.worldbank.org/en/projects-operations/products-and-services/brief/procurement-new-framework#framework)” [<http://www.worldbank.org/en/projects-operations/products-and-services/brief/procurement-new-framework#framework>] provides a useful explanation of the process, as well as a sample letter of complaint.

In summary, there are four essential requirements:

1. You must be an ‘interested party’. In this case, that means a Bidder who submitted a Bid in this bidding process, and is the recipient of a Notification of Intention to Award.
2. The complaint can only challenge the decision to award the contract.
3. You must submit the complaint within the period stated above.

4. You must include, in your complaint, all of the information required by the Procurement Regulations (as described in Annex III).

## 6. Standstill Period

**DEADLINE: The Standstill Period is due to end at midnight on [insert date] (local time).**

The Standstill Period lasts ten (10) Business Days after the date of transmission of this Notification of Intention to Award.

The Standstill Period may be extended as stated in Section 4 above.

If you have any questions regarding this Notification please do not hesitate to contact us.

On behalf of the Purchaser:

**Signature:** \_\_\_\_\_

**Name:** \_\_\_\_\_

**Title/position:** \_\_\_\_\_

**Telephone:** \_\_\_\_\_

**Email:** \_\_\_\_\_

## Beneficial Ownership Disclosure Form

**INSTRUCTIONS TO BIDDERS: DELETE THIS BOX ONCE YOU HAVE COMPLETED THE FORM**

*This Beneficial Ownership Disclosure Form (“Form”) is to be completed by the successful Bidder. In case of joint venture, the Bidder must submit a separate Form for each member. The beneficial ownership information to be submitted in this Form shall be current as of the date of its submission.*

*For the purposes of this Form, a Beneficial Owner of a Bidder is any natural person who ultimately owns or controls the Bidder by meeting one or more of the following conditions:*

- *directly or indirectly holding 25% or more of the shares*
- *directly or indirectly holding 25% or more of the voting rights*
- *directly or indirectly having the right to appoint a majority of the board of directors or equivalent governing body of the Bidder*

**RFB No.:** *[insert number of RFB process]*

**Request for Bid No.:** *[insert identification]*

**To:** *[insert complete name of Purchaser]*

In response to your request in the Letter of Acceptance dated *[insert date of letter of Acceptance]* to furnish additional information on beneficial ownership: *[select one option as applicable and delete the options that are not applicable]*

(i) we hereby provide the following beneficial ownership information.

### Details of beneficial ownership

Identity of Beneficial Owner	Directly or indirectly holding 25% or more of the shares (Yes / No)	Directly or indirectly holding 25 % or more of the Voting Rights (Yes / No)	Directly or indirectly having the right to appoint a majority of the board of the directors or an equivalent governing body of the Bidder (Yes / No)
<i>[include full name (last, middle, first),</i>			

<i>nationality, country of residence]</i>			
---	--	--	--

**OR**

*(ii) We declare that there is no Beneficial Owner meeting one or more of the following conditions:*

- directly or indirectly holding 25% or more of the shares
- directly or indirectly holding 25% or more of the voting rights
- directly or indirectly having the right to appoint a majority of the board of directors or equivalent governing body of the Bidder

**OR**

*(iii) We declare that we are unable to identify any Beneficial Owner meeting one or more of the following conditions. [If this option is selected, the Bidder shall provide explanation on why it is unable to identify any Beneficial Owner]*

- directly or indirectly holding 25% or more of the shares
- directly or indirectly holding 25% or more of the voting rights
- directly or indirectly having the right to appoint a majority of the board of directors or equivalent governing body of the Bidder]”

**Name of the Bidder:** *\*[insert complete name of the Bidder]*\_\_\_\_\_

**Name of the person duly authorized to sign the Bid on behalf of the Bidder:** *\*\*[insert complete name of person duly authorized to sign the Bid]*\_\_\_\_\_

**Title of the person signing the Bid:** *[insert complete title of the person signing the Bid]*\_\_\_\_\_

**Signature of the person named above:** *[insert signature of person whose name and capacity are shown above]*\_\_\_\_\_

**Date signed** *[insert date of signing]* **day of** *[insert month], [insert year]*\_\_\_\_\_

\* In the case of the Bid submitted by a Joint Venture specify the name of the Joint Venture as Bidder. In the event that the Bidder is a joint venture, each reference to “Bidder” in the Beneficial Ownership Disclosure Form (including this Introduction thereto) shall be read to refer to the joint venture member.

\*\* Person signing the Bid shall have the power of attorney given by the Bidder. The power of attorney shall be attached with the Bid Schedules.

# Letter of Acceptance

*[use letterhead paper of the Purchaser]*

*[date]*

To: *[name and address of the Supplier]*

Subject: **Notification of Award Contract No.** . . . . .

This is to notify you that your Bid dated *[insert date]* for execution of the *[insert name of the contract and identification number, as given in the SCC]* for the Accepted Contract Amount of *[insert amount in numbers and words and name of currency]*, as corrected and modified in accordance with the Instructions to Bidders is hereby accepted by our Agency.

You are requested to furnish (i) the Performance Security within 28 days in accordance with the Conditions of Contract, using for that purpose one of the Performance Security Forms and (ii) the additional information on beneficial ownership in accordance with BDS ITB 45.1 within eight (8) Business days using the Beneficial Ownership Disclosure Form, included in Section X, - Contract Forms, of the Bidding Document.

Authorized Signature: \_\_\_\_\_

Name and Title of Signatory: \_\_\_\_\_

Name of Agency: \_\_\_\_\_

**Attachment: Contract Agreement**

## Contract Agreement

*[The successful Bidder shall fill in this form in accordance with the instructions indicated]*

THIS AGREEMENT made

the *[insert: number]* day of *[insert: month]*, *[insert: year]*.

BETWEEN

- (1) *[insert complete name of Purchaser]*, a *[insert description of type of legal entity, for example, an agency of the Ministry of.....of the Government of {insert name of Country of Purchaser}, or corporation incorporated under the laws of {insert name of Country of Purchaser}]* and having its principal place of business at *[insert address of Purchaser]* (hereinafter called “the Purchaser”), of the one part, and
- (2) *[insert name of Supplier]*, a corporation incorporated under the laws of *[insert: country of Supplier]* and having its principal place of business at *[insert: address of Supplier]* (hereinafter called “the Supplier”), of the other part:

WHEREAS the Purchaser invited Bids for certain Goods and ancillary services, viz., *[insert brief description of Goods and Services]* and has accepted a Bid by the Supplier for the supply of those Goods and Services

The Purchaser and the Supplier agree as follows:

1. In this Agreement words and expressions shall have the same meanings as are respectively assigned to them in the Contract documents referred to.
2. The following documents shall be deemed to form and be read and construed as part of this Agreement. This Agreement shall prevail over all other contract documents.
  - (a) the Letter of Acceptance
  - (b) the Letter of Bid
  - (c) the Addenda Nos. \_\_\_\_\_ (if any)
  - (d) Special Conditions of Contract
  - (e) General Conditions of Contract
  - (f) the Specification (including Schedule of Requirements and Technical Specifications)
  - (g) the completed Schedules (including Price Schedules)

- (h) any other document listed in GCC as forming part of the Contract
3. In consideration of the payments to be made by the Purchaser to the Supplier as specified in this Agreement, the Supplier hereby covenants with the Purchaser to provide the Goods and Services and to remedy defects therein in conformity in all respects with the provisions of the Contract.
  4. The Purchaser hereby covenants to pay the Supplier in consideration of the provision of the Goods and Services and the remedying of defects therein, the Contract Price or such other sum as may become payable under the provisions of the Contract at the times and in the manner prescribed by the Contract.

IN WITNESS whereof the parties hereto have caused this Agreement to be executed in accordance with the laws of *[insert the name of the Contract governing law country]* on the day, month and year indicated above.

For and on behalf of the Purchaser

Signed: *[insert signature]*  
in the capacity of *[insert title or other appropriate designation]*  
In the presence of *[insert identification of official witness]*

For and on behalf of the Supplier

Signed: *[insert signature of authorized representative(s) of the Supplier]*  
in the capacity of *[insert title or other appropriate designation]*  
in the presence of *[insert identification of official witness]*



## Performance Security

### Option 1: (Bank Guarantee)

*[The bank, as requested by the successful Bidder, shall fill in this form in accordance with the instructions indicated]*

*[Guarantor letterhead or SWIFT identifier code]*

**Beneficiary:** *[insert name and Address of Purchaser]*

**Date:** *\_ [Insert date of issue]*

**PERFORMANCE GUARANTEE No.:** *[Insert guarantee reference number]*

**Guarantor:** *[Insert name and address of place of issue, unless indicated in the letterhead]*

We have been informed that *\_ [insert name of Supplier, which in the case of a joint venture shall be the name of the joint venture]* (hereinafter called "the Applicant") has entered into Contract No. *[insert reference number of the contract]* dated *[insert date]* with the Beneficiary, for the supply of *\_ [insert name of contract and brief description of Goods and related Services]* (hereinafter called "the Contract").

Furthermore, we understand that, according to the conditions of the Contract, a performance guarantee is required.

At the request of the Applicant, we as Guarantor, hereby irrevocably undertake to pay the Beneficiary any sum or sums not exceeding in total an amount of *[insert amount in figures]* (\_\_\_\_\_) *[insert amount in words]*,<sup>1</sup> such sum being payable in the types and proportions of currencies in which the Contract Price is payable, upon receipt by us of the Beneficiary's complying demand supported by the Beneficiary's statement, whether in the demand itself or in a separate signed document accompanying or identifying the demand, stating that the Applicant is in breach of its obligation(s) under the Contract, without the Beneficiary needing to prove or to show grounds for your demand or the sum specified therein.

This guarantee shall expire, no later than the .... Day of ....., 2...<sup>2</sup>, and any demand for payment under it must be received by us at this office indicated above on or before that date.

---

<sup>1</sup> *The Guarantor shall insert an amount representing the percentage of the Accepted Contract Amount specified in the Letter of Acceptance, and denominated either in the currency (ies) of the Contract or a freely convertible currency acceptable to the Beneficiary.*

<sup>2</sup> *Insert the date twenty-eight days after the expected completion date as described in GC Clause 18.4. The Purchaser should note that in the event of an extension of this date for completion of the Contract, the Purchaser would need to request an extension of this guarantee from the Guarantor. Such request must be in writing and must be made prior to the expiration date established in the guarantee. In preparing this guarantee, the Purchaser might consider adding the following text to the form, at the end of the penultimate*

This guarantee is subject to the Uniform Rules for Demand Guarantees (URDG) 2010 Revision, ICC Publication No. 758, except that the supporting statement under Article 15(a) is hereby excluded.

\_\_\_\_\_  
*[signature(s)]*

***Note: All italicized text (including footnotes) is for use in preparing this form and shall be deleted from the final product.***

---

*paragraph: “The Guarantor agrees to a one-time extension of this guarantee for a period not to exceed [six months] [one year], in response to the Beneficiary’s written request for such extension, such request to be presented to the Guarantor before the expiry of the guarantee.”*

## Option 2: Performance Bond (Not Applicable)

By this Bond [*insert name of Principal*] as Principal (hereinafter called “the Supplier”) and [*insert name of Surety*] as Surety (hereinafter called “the Surety”), are held and firmly bound unto [*insert name of Purchaser*] as Obligee (hereinafter called “the Supplier”) in the amount of [*insert amount in words and figures*], for the payment of which sum well and truly to be made in the types and proportions of currencies in which the Contract Price is payable, the Supplier and the Surety bind themselves, their heirs, executors, administrators, successors and assigns, jointly and severally, firmly by these presents.

WHEREAS the Supplier has entered into a written Agreement with the Purchaser dated the \_\_\_\_\_ day of \_\_\_\_\_, 20\_, for [*name of contract and brief description of Goods and related Services*] in accordance with the documents, plans, specifications, and amendments thereto, which to the extent herein provided for, are by reference made part hereof and are hereinafter referred to as the Contract.

NOW, THEREFORE, the Condition of this Obligation is such that, if the Supplier shall promptly and faithfully perform the said Contract (including any amendments thereto), then this obligation shall be null and void; otherwise, it shall remain in full force and effect. Whenever the Supplier shall be, and declared by the Purchaser to be, in default under the Contract, the Purchaser having performed the Purchaser’s obligations thereunder, the Surety may promptly remedy the default, or shall promptly:

- (1) complete the Contract in accordance with its terms and conditions; or
- (2) obtain a Bid or Bids from qualified Bidders for submission to the Purchaser for completing the Contract in accordance with its terms and conditions, and upon determination by the Purchaser and the Surety of the lowest responsive Bidder, arrange for a Contract between such Bidder and Purchaser and make available as work progresses (even though there should be a default or a succession of defaults under the Contract or Contracts of completion arranged under this paragraph) sufficient funds to pay the cost of completion less the Balance of the Contract Price; but not exceeding, including other costs and damages for which the Surety may be liable hereunder, the amount set forth in the first paragraph hereof. The term “Balance of the Contract Price,” as used in this paragraph, shall mean the total amount payable by Purchaser to Supplier under the Contract, less the amount properly paid by Purchaser to the Supplier; or
- (3) pay the Purchaser the amount required by Purchaser to complete the Contract in accordance with its terms and conditions up to a total not exceeding the amount of this Bond.

The Surety shall not be liable for a greater sum than the specified penalty of this Bond.

Any suit under this Bond must be instituted before the expiration of one year from the date of the issuing of the Taking-Over Certificate.

No right of action shall accrue on this Bond to or for the use of any person or corporation other than the Purchaser named herein or the heirs, executors, administrators, successors, and assigns of the Purchaser.

In testimony whereof, the Supplier has hereunto set his hand and affixed his seal, and the Surety has caused these presents to be sealed with his corporate seal duly attested by the signature of his legal representative, this \_\_\_\_\_ day of \_\_\_\_\_ 20  
\_\_\_\_\_.

SIGNED ON \_\_\_\_\_ on behalf of \_\_\_\_\_

By \_\_\_\_\_ in the capacity of \_\_\_\_\_

In the presence of \_\_\_\_\_

SIGNED ON \_\_\_\_\_ on behalf of \_\_\_\_\_

By \_\_\_\_\_ in the capacity of \_\_\_\_\_

In the presence of \_\_\_\_\_

## Advance Payment Security

### Demand Guarantee

*[Guarantor letterhead or SWIFT identifier code]*

**Beneficiary:** *[Insert name and Address of Purchaser]*

**Date:** *[Insert date of issue]*

**ADVANCE PAYMENT GUARANTEE No.:** *[Insert guarantee reference number]*

**Guarantor:** *[Insert name and address of place of issue, unless indicated in the letterhead]*

We have been informed that *[insert name of Supplier, which in the case of a joint venture shall be the name of the joint venture]* (hereinafter called "the Applicant") has entered into Contract No. *[insert reference number of the contract]* dated *[insert date]* with the Beneficiary, for the execution of *[insert name of contract and brief description of Goods and related Services]* (hereinafter called "the Contract").

Furthermore, we understand that, according to the conditions of the Contract, an advance payment in the sum *[insert amount in figures]* ( ) *[insert amount in words]* is to be made against an advance payment guarantee.

At the request of the Applicant, we as Guarantor, hereby irrevocably undertake to pay the Beneficiary any sum or sums not exceeding in total an amount of *[insert amount in figures]* ( ) *[insert amount in words]*<sup>1</sup> upon receipt by us of the Beneficiary's complying demand supported by the Beneficiary's statement, whether in the demand itself or in a separate signed document accompanying or identifying the demand, stating either that the Applicant:

- (d) has used the advance payment for purposes other than toward delivery of Goods;  
or
- (e) has failed to repay the advance payment in accordance with the Contract conditions, specifying the amount which the Applicant has failed to repay.

---

<sup>1</sup> *The Guarantor shall insert an amount representing the amount of the advance payment and denominated either in the currency(ies) of the advance payment as specified in the Contract, or in a freely convertible currency acceptable to the Purchaser.*

A demand under this guarantee may be presented as from the presentation to the Guarantor of a certificate from the Beneficiary's bank stating that the advance payment referred to above has been credited to the Applicant on its account number *[insert number]* at *[insert name and address of Applicant's bank]*.

The maximum amount of this guarantee shall be progressively reduced by the amount of the advance payment repaid by the Applicant as specified in copies of interim statements or payment certificates which shall be presented to us. This guarantee shall expire, at the latest, upon our receipt of a copy of the interim payment certificate indicating that ninety (90) percent of the Accepted Contract Amount, has been certified for payment, or on the *[insert day]* day of *[insert month]*, 2 *[insert year]*, whichever is earlier. Consequently, any demand for payment under this guarantee must be received by us at this office on or before that date.

This guarantee is subject to the Uniform Rules for Demand Guarantees (URDG) 2010 Revision, ICC Publication No.758, except that the supporting statement under Article 15(a) is hereby excluded.

.

\_\_\_\_\_  
*[signature(s)]*

***Note: All italicized text (including footnotes) is for use in preparing this form and shall be deleted from the final product.***

# **Annexure**

Page - 01



**GOVERNMENT OF KHYBER PAKHTUNKHWA  
COMMUNICATION & WORKS DEPARTMENT**  
NO.SO(B)/II-10/Standardization//Solar Panels/PBC/2018-19/C&WD  
Dated Peshawar the: 29/01/2019

To

1. Additional Secretary (Admn / Coord), FATA Secretariat Warsak Road Peshawar.
2. Director General M&E P&D Department, Peshawar.
3. Director Agriculture Engineering Tarnab Farm Peshawar.
4. Superintending Engineer, PHE Division Mardan, PHE Department.
5. Superintending Engineer PBC, C&W Department, Peshawar.
6. Director General PDA.
7. Chairman Electrical Engineering Department, University of Engineering & Technology Peshawar.
8. Executive Engineer Warsak Canal Division Peshawar, Irrigation Department.
9. Executive Engineer, Peshawar Division, PHE Department.
10. Deputy Director (PHA), ATI Campus Jamrod road Peshawar.
11. Executive Engineer PBC-II C&W Department.
12. Planning Officer, LG&RD Department.
13. Assistant Engr. CSR / MRS (Cell) C&W Department.
14. Manager Energy & Power Department Peshawar.
15. Deputy Secretary (Technical), Public Health Engineering Department, Peshawar.

Subject: REVISED TECHNICAL SPECIFICATIONS FOR SOLAR PANELS AND ALLIED EQUIPMENT (REV 2018).

I am directed to refer to the subject noted above and to enclose herewith approved Minutes of the standardization of revised technical specification for solar panels and allied equipment's (Rev 2018) meeting held on 11/01/2019 at 10:30 AM under the Chairmanship of Secretary C&W Department along with approved "**Revised specifications for supply and installations of 1).Solar Based Pumping System 2).Solar Buildings / Home Systems 3).Solar Street Lights**", duly approved by Standardization Committee of Khyber Pakhtunkhwa and approved pre-qualification proforma of solar panels for information and necessary action at your end, please.

  
 (Engr. Muhammad Imran)  
 Section Officer (Buildings)

Endst: No. & Date Even:

Copy is forwarded for information to the:-

1. Chairman Pakistan Engineering Council (PEC) Building, Attaturk Avenue (East) G-5/2 P.O Box 1296, Islamabad.
- 2: Director Solar, Alternative Energy Development Board, Ministry of Energy / Power Division, Government of Pakistan, 2<sup>nd</sup> Floor, OPF Building, Shahrah e Jamhuriat, G5/2, Islamabad.
3. Manager Technical, National Energy Efficiency & Conservation Authority (NEECA), Near State Bank of Pakistan, NEECA Building, Sector G5/2, Islamabad.
4. Director Standards, Pakistan Standards & quality Control Authority, PSQA Complex, Plot No. ST-7/A, Block No. 3 Scheme No. 36, Near Kamran Chowrangi, Gulistan E Jauhar, Karachi.
5. Member Custom Policy, Federal Board of Revenue (FBR), FBR House / Building, Opposite Supreme Court of Pakistan, Islamabad.
6. PS to Secretary C&W Department Peshawar.

  
 Section Officer (Buildings)

**Note:** "Revised specifications for supply and installations of 1).Solar Based Pumping System 2).Solar Buildings / Home Systems 3).Solar Street Lights" is uploaded on C&W Department official website i-e [c wd.gov.pk](http://c wd.gov.pk) for easy receipt of the same.



Page - 02

1 | Page

20

**MINUTES OF THE STANDARDIZATION OF REVISED TECHNICAL SPECIFICATION FOR SOLAR PANELS AND ALLIED EQUIPMENT'S (REV 2018).**

A meeting of the committee regarding Standardization of Solar Panels & other allied works for the use in public infrastructure was held on 11/01/2019 at 10:30 AM under the chairmanship of Secretary C&W Department in the committee room of this Department (*List of participants attached*).

The meeting started with the recitation from the Holy Quran. While opening of discussion the Secretary C&W Department welcomed the participants and the Deputy Secretary (Technical) was asked to inform the forum regarding solar specifications.

The forum was briefed regarding the specification prepared by the sub-committee in its meeting held on 08/01/2019 under the chairmanship of Deputy Secretary (Technical) Public Health Engineering Department. Each and every item of Solar Panel with the allied equipment's have been discussed in detail certain changes proposed by the member were incorporated in the specification presented by the Chairman of the sub-committee. After detail deliberation the specification were approved unanimously and it was further decided to notify these specification in the best interest of public work keeping in view the works already approved or in the process of tendering which has been based on the previous specification notified vide No. SO(B)/II-10/Standardization/PBC/2016-17/C&WD dated 23/06/2017 to facilitate the executing agency in a right direction, therefore a gap of 3 months be kept in the implementation process. Hence these specification would be applicable which are to be tendered on are after 01/04/2019

**Meeting ended with vote of thanks.**

Page – 03

**LIST OF PARTICIPANTS**

**UP GRADATION IN APPROVED SPECIFICATIONS OF SOLAR PANELS COMMITTEE**  
**MEETING SCHEDULED TO BE HELD ON 11/12/2018 AT 10:30 AM.**

**SUB HEAD: REVISED TECHNICAL SPECIFICATION FOR SOLAR PANELS AND**  
**ALLIED EQUIPMENT'S (REV 2018).**

S.No.	Name of Officer/Official	Designation	Department	Signature
1.	Engr. Shahab Khattak	Secretary	C&W	
2.	ISHTIYAZ AHMAD	Assistant Engineer C&W/Miscell	C&W	
3.	Amin-zeb	Director	Housing	
4.	Sami-ullah Kundi	Xen	Immigration	
5.	Jehanzeb Khan	SDO	Intifad	
6.	Engr. Nasir Zaman Khan	SO (Tech)	PH&D Dept	
7.	Engr. M. Amjad Khan	DST (Tech)	PH&D	
8.	Mahmood-uz-Zaman	Director	Agri Engg	
9.	Engr. Paiseer Zaman	Superintending Engineer	PH&D	
10.	Engr. Babar Nasim	Assistant Director	M&E System, PH&D	
11.	Engr. Khuram Durrani	PO	Energy & Power Dept	
12.	Engr. Salman	Dy. Director	PDAC (Elect)	
13.	SAUD KHAN	SDO PRC-II	C&W	
14.				
15.				
16.				
17.				
18.				
19.				
20.				
21.				

**REVISED  
SPECIFICATIONS  
FOR  
SUPPLY AND INSTALLATIONS OF**

- 1. SOLAR BASED PUMPING SYSTEMS,**
- 2. SOLAR BUILDINGS / HOME SYSTEMS.**
- 3. SOLAR STREET LIGHTS**



**2019  
Version-01**

**APPROVED BY STANDARIZATION COMMITTEE OF  
KHYBER PAKHTUNKHWA**

*Executive Engineer  
Warak Chahar Division  
Peshawar*

*Superintending Engineer  
PHE Circle Tribal  
Districts Peshawar.*

*DDA*

*Assistant Director (M&E)*

*Director  
Agril: Engineering  
Karnal, Peshawar*

*ATI  
PHA*

*Deputy Secretary (Tech:)  
Public Health Engg. Department  
Khyber Pakhtunkhwa*

*16/01/2019*

*Chairman Electric. & UED*

*16/01/2019*

*Assistant Engineer  
CSR/MRS Cell C&W  
Department*

*16/01/2019*

*SEC(HB)  
CE(M.A.)*

*XEN PBC-JI*

*K  
ECP*

Page 1 of 24

**1. SOLAR PANELS:**

- a. The PV module(s) shall contain mono crystalline silicon Grade-A Solar cells. (N-Type Mono PV Cell Modules and Bifacial Double Glass Modules due to its better performance will be given preference).
  - b. The PV module should Work well with high-voltage input Inverters/ charge controllers (1000 Vdc).
  - c. The PV Panel must have clear anodized aluminium frame with Anti-reflective, hydrophobic, low-iron Tempered cover glass.
  - d. The Solar Modules shall meet the following valid IEC Standards or latest:
    - IEC 61215-1, IEC 61215-1-1, IEC 61215-2 :2016 (Design Qualification)
    - IEC61730-1:2016 (Safety - Requirements for construction)
    - IEC61730-2:2016 (Safety - Requirements for testing)
    - IEC TS-62804-1. (i.e: TUV PPP-58042 or Equivalent) Anti-PID Certification.
    - IEC 61701 Salt Mist Corrosion Resistance Test (Latest)
    - IEC 62716 Ammonia Corrosion Resistance Test (Latest)
    - IEC 60068-2-68 Sand and Dust Erosion Resistance Test.
  - e. Unique Serial number, Name / Logo of manufacturer and separate date of manufacturing (DD/MM/YYYY) should be laminated inside the module so as to be clearly visible from the front side.
  - f. A properly laminated sticker containing the following details should be available at the back side of the module.
    - Name of the manufacturer / distinctive logo.
    - Model Name and Type of Cell Technology.
    - Peak Watt Rating (Wp) and Power Tolerance Range
    - Voltage ( $V_{mp}$ ) and Current ( $I_{mp}$ ) at STC
    - Open Circuit Voltage (Voc) and Short Circuit Current (Isc)
    - Maximum System Voltage ( $V_{dc}$ ) (i.e: This should not be less than 1000  $V_{dc}$ )
    - Dimensions of PV Module
    - Test Standard(s) to which the module has been tested and certified.
  - g. Following essential technical parameters of solar panel/modules should be provided with each panel supplied as well as in the technical proposal.
    - I-V curve for the solar photovoltaic module/panel.
    - Date and year of obtaining IEC PV module standardization qualification certificate.
    - Electrical Data (i.e: Pmax, Voc/Vmp, Isc/Imp at nominal Cell Operating Temperature (NOCT).
    - PV Module efficiency at STC.
    - Working temperature range of PV Module.
- Each panel should have factory equipped weather proof terminal junction box having at least IP67 protection with provision of opening for replacement of DC cables, blocking diodes and easy debugging if necessary.
- i. Limited performance guarantee: panel power, in standard conditions, will not be less than 90% of nominal power by the end of 10 years of operation and at least 80% at the end of 25 years of operation with 25-year limited power warranty.
  - j. The PV Module should have at least 10-years warranty for any defects and efficiency as mentioned above. It should be provided On Stamp Paper Signed and Sealed by Contractor at the time of Handing/Taking Over.
  - k. The PV Module should have at-least 17.50 % Module efficiency with Positive Power Tolerance.

**DIRECTOR**  
 Agri: Engineering  
 KPK Tarnab, Peshawar

Exco Officer Engineer  
 Wamak Canal Division  
 Peshawar

Deputy Secretary (Tech.)  
 Public Health Engg: Department  
 Khyber Pakhtunkhwa

ADLMES)  
 PD 15  
 16/11/2019

Jun - Jun  
 PDA  
 Chairman  
 Elect. Eng Dept  
 16/01/2019

SECT HD  
 XEN  
 XEN  
 K. EEP

- l. The PV modules offered should not be more than 12 months old from the date of issue of work order.
- m. PV Module should have a Snow Load bearing of 5400 Pa and Wind Load Bearing of at least 2400 pa however if department deem appropriate may go for 3800 pa wind load depending upon their requirement.
- n. The Solar Module should be free from visual and cosmetics defects.
- o. The department/consultant on the expense of contractor/supplier shall verify Flash test reports with serial numbers from manufacturer for each panel (at the time of supply).
- p. All information regarding solar panel with above mentioned featured data should be accessible and verifiable online on the manufacturer website.
- q. IEC accredited lab test for solar panels is mandatory.
- r. EL (Electro-luminous) test will be performed randomly for each individual project at the cost of contractor/supplier.

**2. CABLE & WIRING:**

- a. The AC / DC cables should be made of 99.9% copper strands and Flexible.
- b. From PV Panel to Junction Box, XLPE or XLPO insulated & XLPE/PVC Sheathed, UV stabilized single core, Double Insulated. Stranded /flexible cables (Conforming preferably to EN 50618 or IEC FDIS 62930) be used.
- c. From JB to Inverter, the DC cable must have Single Core, double Insulated and suitable for minimum 1000 V<sub>DC</sub> transmission.
- d. From Inverter to batteries, the DC cable can be single insulated, Single Core and suitable for minimum 300 V<sub>DC</sub> transmission.
- e. DC circuit breakers (not fuse) of  $\geq$  Voc of String Voltage and suitable ampere rating (1.25 to 1.50 Times of Rated Current of all strings connected) must be installed between PV modules and controller / inverter.
- f. AC Circuit Breaker (s) of suitable rating (1.25 to 1.50 times of connected Load) must be installed between Controller / inverter to Load and Grid to Controller / Inverter.
- g. AC / DC breakers should be marked with the manufacturer model number, rated voltage, ampere rating and batch/serial number.
- h. DC / AC breakers rating should be approved from Engineer In-charge before installation at site.
- i. To prevent solar panels from damage an appropriate size of DC Breaker / Fuse should be installed for each PV string and Surge Protection should be installed for combined Array (before Main DC Breaker / Inverter).
- j. DC Breaker, AC Breaker & Change overs should be placed in an enclosure. All Enclosures / Junction boxes should be made from Hot Dipped Galvanized Sheets of minimum 16 SWG.
- k. Cables shall be clearly labelled with essential electrical parameters including manufacturer name, Voltage Range, standards etc.
- l. All DC Wiring shall be aesthetically neat and clean, over all wiring/connection losses shall not exceed 1% of the total rated output power.
- m. All connections/ socket outlet among array, controller, inverters, batteries, and pumping set etc must be made in junction boxes of adequate protection level.
- n. All wires/cables should be in standard flexible UV-Resistant conduits / HDPE of PN12, SDR 13.6, PE100 for outdoor installation & (2-3 feet deep) for underground wiring / Cabling and PVC ducts for indoor installation.
- o. The DC Combiner Junction Box should be properly earthed including earthing of door as well.
- p. The DC Combiner should contain proper bus bars of adequate size each for Positive, Negative and Earthing.

*(Handwritten notes in blue ink)*  
 14/09/2019  
 16/01/2019  
 Aghave  
 Executive Engineer  
 Punjab  
 Water

*(Handwritten signatures and stamps)*  
 Deputy Secretary (Tech:)  
 Public Health/Engg. Department  
 Lahore/Pakistan  
 Director  
 Agril: Engineering  
 K T  
 ADMSE  
 PDA  
 SET (MG)  
 ELP

- q. The Inverter Junction Box should be properly earthed as well as per vetted design of the Engineer in charge.
- r. All wiring should be in proper conduit of capping casing. Wire should not be hanging loose.
- s. All wires should be terminated properly by using lugs / thimble connectors / sleeves.
- t. Distribution board must be installed with proper screws.
- u. Electrical Hazards Safety Labels should be pasted on DC Combiner /VFD Enclosure / Charge Controller /Battery Enclosures.
- v. Following lab tests are mandatory.  
Conductor resistance test, Insulation resistance test, Pressure test, Spark test.
- w. DC Cable from PV Module to Junction Box / Inverter for each string should be minimum size 6 mm<sup>2</sup>.
- x. DC Cable sizing (For Pumping Schemes) from Junction Box to Inverter as per details below;

S. No	Nos of Strings	Cable Size ((mm <sup>2</sup> )	Remarks
1	1	6	If Cable length is >200 ft (One Sided) than cable size should also be increased accordingly.
2	2	10	
3	3	16	
4	4-5	25	
5	6-8	35	

**3. PANEL MOUNTING & STRUCTURE:**

- a. The panel mounting and structure should be made of hot dipped (80 microns Average) galvanized steel of minimum thickness of **12 SWG / 2.64 mm Channel / Pipe or 8 SWG / 4.06 mm Angle** (Profile of channel and Sketch Attached for Reference).
- b. A sketch of the mounting frame (As per Actual Site Requirements) showing dimensions of the frame parts should be provided at the time of supply.
- c. PV to ground clearance must not be less than 1.5 feet. The height of the upper edge of the structure should not exceed 10 feet above the ground and 6 Feet for Roof Top Installations.
- d. To avoid Shading, Distance between two rows of PV panels and from walls should be maintained at a minimum of 1.6 times the height of structure/walls.  
The pit size for concrete works should be minimum 1.5x1.5x2 feet for each individual leg or 1.5x2.5x2 for double leg and the concrete should be extended at least 1 foot above the ground. The concrete ratio should be 1:2:4.
- f. The Surface azimuth angle of PV Module 180° and the Tilt angle (slope) of PV Module should be 33°.
- g. The PV modules will be mounted on metallic structures of adequate strength and appropriate design, which can withstand load of modules and high wind velocities up to 150 km per hour.
- h. Due to land Non-availability or any other problem, Structure design can be modified as per site requirement. Pole Mounted or manual Tracker Structure can be provided with the approval of Engineer In-charge.
- i. Array fasteners (nut/bolts/washers) between PV Module and Structure shall be stainless steel. Washers should be installed on both sides of Module frame.
- j. The minimum space between two PV Modules should be 2.54 cm (1 inch), to avoid air push over PV Modules.
- k. Mechanism / arrangement for cleaning of PV Panels should be provided. i.e: Space and ladder between panels or at the back side of structure, so that the operator can safely climb and clean the panels.
- l. All other array fasteners Structure shall be stainless steel or galvanized steel that provides the required mechanical strength.

**DIRECTOR**  
Agril. Engineering  
Karnal, Peshawar

16/01/2019

Deputy Secretary (Tech:)  
Public Health Engg. Department  
Khyber Pakhtunkhwa

16/01/2019

ADLMEET

16/01/2019

16/01/2019

PDA

16/01/2019

16/01/2019

16/01/2019

- m. The PV modules will be mounted on metallic structures at the inner holes for cantilevered installation, which will evenly distribute the load of the panel around the support structure on both sides and in the middle.

**4. EARTHING/ GROUNDING:**

- a. The PV Panel frame and structure should be connected by the shortest practical route to an adequate earth contact (of Less than 5 Ohms Resistance) as per requirement of equipment manufacturer and site earth conditions, using an uninterrupted conductor. Grounding can reduce the risks of damage from lightning-induced surges.
- b. The Sizing of Earthing conductor will be done as per NEC Table 250.122
- c. The grounding conductor should be 99% Copper and PVC insulated / Bare Copper if installed underground along a defined path where size & Design shall be approved from Engineer In-charge before installation at site.
- d. Motor, inverter, Battery / Battery Box (if required), Main Distribution Board should be connected to an adequate earth contact / Grounding.
- e. Ground enhancement material (GEM) shall be used below and above the Earthing plate for proper grounding. Gravel or coarse sand shall be pour along with soil in the pit.
- f. Grounding / Earthing plate should be made of Copper plate of 4mm thickness & Size minimum 1.0 x 1.0 Ft.
- g. Grounding / Earthing conductor should be connected to the plate / Rode / GI Pipe by proper connector of minimum depth of 6 feet.
- h. Alternatively Earthing Rod of suitable size and length can be installed. (Instead of Plate). If given / mentioned in the BOQ/Design and Engineer In-Charge Approval.
- i. All nut / bolt and Earthing clamp shall be stainless steel or galvanized steel.

**5. BATTERIES:**

- a. The battery should be Deep Cycle, GEL, OPzV/OPzS, Lithium LiFePO4, Lead Carbon Type or equivalent. (Note: Battery type shall be specified in the bidding documents.)
- b. The battery must ensure safe and reliable operation in the whole range of ambient temperatures from -5° C to + 50° C.
- c. The maximum permissible self-discharge rate should not be more than 5 percent of rated capacity per month at 25° C.
- d. The battery shall have a certificate of compliances, issued by a recognized laboratory.
- e. The Batteries should have three years Comprehensive replacement warranty.
- f. The battery shall meet the requirements and recommendations given in IEC 61427, IEC 60896 1/22 (For VRLA) or equivalent. Lab Test Reports for battery cycle life should be provided.
- g. The Battery must support parallel connection to increase capacity in case of future expansion. Each Battery should have following minimum information printed on battery:
  - Model Number, Serial Number and Type of battery.
  - Rated Voltage and Capacity (AH) at discharge rate of 10 Hours.
  - Origin of made.
  - Manufacturer Name with distinct logo.
- h. The following information must be provided in the data sheet while submitting technical bid.
  - Certification/Test Standard(s) of the battery.
  - Information regarding cycles & self-discharge rate.
- i. In case of rechargeable battery bank (having more than one battery), the interconnection shall be made using lead plated copper bus bars or properly insulated flexible copper conductors.
- j. Battery disconnect switch / breaker of suitable size should be installed between batteries and inverter / charge controller.
- k. The Battery must have Low self-discharge rate, No memory effect and No gassing.

**DIRECTOR**  
 Agri: Engineering  
 PK Tarnab, Peshawar  
 16/10/2017

Deputy Secretary (Tech:)  
 Public Health Engg. Department  
 Khyber Pakhtunkhwa

ADLMSE

Ab. Jan.

16/11/2017

GEN

PDA

XEN (HE)

SE (HE)

EEP

**5.1 GEL BATTERIES:**

- 5.1.1 Cycle life of the GEL battery (12V) before 80% capacity of Initial Capacity must be minimum **1000** cycles @ 50% depth of discharge (DOD) at discharge rate of 10 Hours
- 5.1.2 Cycle life of the GEL battery (2V Cell) before 80% capacity of Initial Capacity must be minimum **1300** cycles @ 50% depth of discharge (DOD) at discharge rate of 10 Hours

**5.2 LEAD CARBON:**

- 5.2.1 Cycle life of the Lead Carbon battery (12V) before 80% capacity of Initial Capacity must be minimum **2000** cycles @ 50% depth of discharge (DOD) at discharge rate of 10 Hours.
- 5.2.2 Cycle life of the Lead Carbon battery (2V) before 80% capacity of Initial Capacity must be minimum **2500** cycles @ 50% depth of discharge (DOD) at discharge rate of 10 Hours.

**5.3 OPzV / OPzS BATTERIES:**

- 5.3.1 Cycle life of the OPzV / OPzS battery (12V) before 80% capacity of Initial Capacity must be minimum **2000** cycles @ 50% depth of discharge (DOD) at discharge rate of 10 Hours
- 5.3.2 Cycle life of the OPzV / OPzS battery (2V Cell) before 80% capacity of Initial Capacity must be minimum **2500** cycles @ 50% depth of discharge (DOD) at discharge rate of 10 Hours

**5.4 LITHIUM BATTERIES (LiFePO4):**

- 5.4.1 Cycle life of the Lithium LiFePO4 battery before 80% capacity of Initial Capacity must be minimum **5750** cycles @ 50% depth of discharge (DOD) at discharge rate of 10 Hours.
- 5.4.2 The battery must have Integrated Battery Management System (BMS) to ensure battery safety and reliability.
- 5.4.3 The BMS of the battery must have the following specifications:
  - Temperature protection
  - Over charge protection
  - Low voltage disconnect
  - High Voltage Disconnect
  - Short circuit alarm function
  - Self-balancing function
- 5.4.4 The LiFePO4 Battery must have LED status and alarm indication.
- 5.4.5 The charge and discharge rate of the battery must be designed at 0.2C minimum but capable of handling 0.5C charge and discharge currents.

**Note:**

- **Product brochure, catalogue and certificates must be attached with the Technical Bid.**

**6. BOX / STAND FOR BATTERIES, SHS-INVERTER & CHARGE CONTROLLER:**

- a. The batteries should be housed in a vented compartment/stand that prevents users from coming in contact with battery terminals. This compartment/stand should be strong enough to accommodate the weight of the battery.
- b. A mechanism to prevent opening and entry of the battery should be provided.
- c. This compartment should be manufactured of mild steel of at least **18 SWG**.
- d. The compartment should be powder coated paint.
- e. The entire enclosure/stand must be constructed to last at least twenty years without maintenance and should be protected against corrosion. The enclosure should have a clean

**DIRECTOR**  
Agril. Engineering  
KPK Tarnab, Peshawar

16/01/2019

Executive Engineer  
Water & Sewerage  
Peshawar

Deputy Secretary (Tech.)  
Public Health Engg. Department  
Khyber Pakhtunkhwa

AD LMEP

16/01/2019

XEN

XEN

XEN

PO LG

SEVHA

PDA

ELP



and neat appearance. Battery Box /stand should be installed at a place in accordance with user's preference

**7. LED FLOOD LIGHTS:**

- a. Solar Based LEDs/Light fixtures shall conform to the latest IEC/ISO internationally recognized standards.
- b. LEDs/Light fixtures should not be Chip-on-board (COB) single chip type due to their poor heat dissipation.
- c. LEDs/Light fixtures shall be modular type with proper heat sinks.
- d. Solar based lights (LED fixtures etc) should provide at least 100 Lumen/watt.
- e. The Color rendering Index (CRI) must be equal or greater than 70
- f. LEDs/Light fixtures should be designed to deliver at least 10 years of service.
- g. Complete lightening unit shall be weather proof (Protection Class IP65).
- h. The output from the LEDs/Light fixtures should be constant throughout the duty cycle.

**8. AC ENERGY EFFICIENT LED LIGHT BULBS:**

Shape	Cap/Fitting/Base Type	Colour	Lumen s Per Watt	Colour Temperature	Colour rendering index (CRI)	Life Time of Lamp (Hours)	Power Factor & Rated Voltage
Globe	E27	Cool or Warm White	Min 100W	2700K / 6500K	70	10,000	≥ 0.70 & 220 Vac

**Note:**

- LED Light Bulbs should be marked with the manufacturer model number, rated voltage, Wattage.

**9. AC ENERGY EFFICIENT CEILING FANS:**

Sweep	Rated Power	Speed			
Inches	MM	Watts	Rpm		
56	1400	50 Max	≥ 320		

- a. 10% + in Power Consumption is Allowed as per PSQCA Standard
- b. Rated Voltage: 230 V~ (±10V)
- c. Rated Frequency: 50 Hz
- d. Insulation Class: 155 (F) or better
- e. Motor Core: Electrical Steel Sheet
- f. Winding Wire: 99.99% Super Enamelled Copper CA Wire or 99.99% Pure Copper Wire.

**Note:**

- Energy efficient fan should be marked with the manufacturer model number, rated voltage, and wattage.

**10. DC ENERGY EFFICIENT LED LIGHT BULBS:**

- a. The LED lamps must have luminous efficacy of at least 80 lm/W (at 25 °C ambient temperature).
- b. The LED lamp must be protected against reversed polarity of the operation voltage.
- c. Base shall be an E-27 thread type.
- d. The emitted light shall be cool or warm white.

DIRECTOR  
 Agril: Engineering  
 P.O. Tarnab, Peshawar  
 16/01/2017

Deputy Secretary (Tech:)  
 Public Health Engg. Department  
 Khyber Pakhtunkhwa

ADLMEE

POLG

16/01/2017

XEN

PDA

XEN

SE(MR)

- e. The wide angle shall be between 120° to 125°.
- f. Operating Voltage 12Vdc / 24Vdc
- g. Lamps should be marked with the manufacturer model number, rated voltage, wattage and date of manufacture or batch number.

**11. DC CEILING FANS:**

Sweep	Rated Power	Speed	Service Value	Operating Voltage
Inches	Watts	Rpm	Air Delivery/W	V
48 ((with Speed Control) Metal Blades	30-36	> =320 RPM	9.54	12 / 24

**12. DC PEDISTAL FANS:**

Sweep	Rated Power	Speed	Service Value	Operating Voltage
Inches	Watts	Rpm	Air Delivery/W	V
18 Inch (with Speed Control)	18-30 W	1250 RPM (Full Speed)	5.22	12 / 24

**13. INVERTER BASED SPLIT AC**

Inverter based AC with both heating and cooling option.

S.No	DESCRIPTION	UNIT	DETAILS
1	Compressor	Type	Multistage Rotary
2	Noise Level (Indoor)	Db (Max)	≤ 50
3	Voltage Range	Volts (Min. & Max)	180 to 250 Vac

**14. PVC CHANNEL DUCTS & PIPES**

a. A product of good quality standard material standardized by the provincial standardization committee with suitable size to be provided / used, as per direction/approval of Engineer In-charge.

- b. Ducting must be done with proper steel nails and clips.
- c. All ducting (wiring) must be align.

**15. FLEXIBLE PVC PIPE**

a. The flexible PVC pipe should be of good quality material standardized by the provincial standardization committee with suitable size to be provided / used, as per direction/approval of Engineer In-charge.

**16. CIVIL WORK:**

The following Civil Works should be carried out for ground installation of SPV Modules/mounting structures.

- a. Minor Cutting and clearing of trees/plantation to avoid shadows.
- b. Civil work for earthing system as per the statutory requirements.

**17. REFLECTIVE / INSULATING PAINT**

The Roof Paint should be ultra-white, high reflective, 100% acrylic elastomeric roof sealer designed for fixing leaks in roofs the paint should contain heat reflective pigments and additives that provide an excellent, highly protective barrier which reflects the sun's heat and destructive UV rays leaves a brilliant ultra-white finish, reducing surface heat absorption up 20°F.

DIRECTOR  
 Agril: Engineering  
 KPK Tamab, Peshawar  
 16/10/2017

Deputy Secretary (Tech.)  
 Public Health Engg: Department  
 Khyber Pakhtunkhwa

Jai-Zen  
 16/10/2017  
 DEN  
 PO. LG  
 SE (HR)  
 XEN  
 ADLMK

The Reflective paint should comply with ASTM D6083, Fiber Reinforced for more protection, strength and durability which allows for contraction and expansion, Resists surface fungal growth.

**18. WARRANTY/AFTER SALE SERVICE:**

Three years Comprehensive Free Replacement, Repair and maintenance Warranty at site (Free of Cost) should be provided for all the components of Solar System. (if not mentioned separately otherwise)

STANDARDIZATION COMMITTEE GOVERNMENT OF KP

*[Signature]*  
Executive Engineer  
Water & Sewerage Division  
Peshawar

*[Signature]*  
Deputy Secretary (Tech.)  
Public Health Engg. Department  
Khyber Pakhtunkhwa

*[Signature]*  
DIRECTOR  
Agril. Engineering,  
KPK Tarnab, Peshawar

*[Signature]*  
SE (HO)

*[Handwritten notes and signatures]*  
16/01/2019  
16/01/2019  
DEN  
XEN  
D. J. O.

**B - SPECIFICATIONS FOR SOLAR PUMPING SYSTEMS**

**19. PUMP (SUBERSIBLE):**

Pump should be supplied having standard ISO-9906 specifications. The pump must be submersible, made of stainless steel. The characteristic curves (Original from Manufacturer) showing the efficiency at duty point and performance of the pump should be provided in the technical proposal and also at the time of pre-supply testing. The quoted pump should be tested for its performance and certified as per ISO-9906 standard. The pump should be suitable for installation and operation in tube wells/dug wells/open well with clear water discharge. Pump shall comprise of bowl assembly and non-return valve as integral part of pump's parts. Pump and motor shall rigidly couple through NEMA standard coupling. The stage casings of pumps should be connected as per NEMA/ANSI/AWWA /ASTM/BSS standard. Each stage casing must have replaceable wear ring. The impellers shall be secured to the pump shaft with tapered conical sleeves pressed into the taper bore of impeller or impeller secured through chrome plated stainless steel hexagonal sleeves. Suction casing must be between pump and motor with suction strainer as protection of pump against coarse impurities of the liquid handled.

**Specification for main components of the Pumps:**

S.NO	Components	Specifications
1	Casing/Diffuser	The Casing/Diffuser should be in fabricated stainless steel AISI 304 / 316.
2	Impellers	Stainless steel AISI 304 / 316.
3	Driving Shaft	Stainless steel 304/420 / 316
4	Sleeves	Stainless steel AISI 329/ 304 / 316
5	Gaskets	Rubber Gaskets
6	Bearings	AISI 329 stainless steel
7	Coupling & Screen + Cable Guard	Stainless steel AISI 316/319/304/420
8	Non-Return Valve / Sluice Valve	As per British standard specifications (BSS), Minimum PN16 (16 Bar) or Above (As Per Site Requirements) PN Value / Bar Capacity of Valves must be more than Installed Pump Max/Shut-off Head Minus Static Water Level of Bore. (Leakages in Valves are NOT Acceptable).
9	Pressure Gauge	As per British standard specifications (BSS), having PSI or Bar scale (4 Inch Size), Liquid Filled, minimum 350 PSI Range, Looped Siphon tube Pipe, Stainless Steel/polypropylene Casing.
10	Clamps	Steel – Pressed
11	Pump Efficiency	<b>Minimum efficiency of the pump (For discharge of 3000 GPH and more) should be 70% ensured at duty point. (Duty Point of the Pump be preferably selected at the peak efficiency point or (Within ±10% of discharge) of Pump Peak efficiency Point)</b>

**20. MOTOR:**

The winding material should be 99.99% copper. The motor should have wet type, water cool rewind-able/repairable stator. The motor should have non-disposable/non-hermetically sealed winding. The insulation class of the winding material should be mentioned. For each model quoted, all the technical parameters such as rated voltage, power factor, efficiency, full load ampere, speed

DIRECTOR  
 Agril: Engineering  
 & Tarnab, Peshawar  
 Director  
 Executive Engineer  
 Water Supply  
 Peshawar

Deputy Secretary (Tech.)  
 Public Health Engg. Department  
 Khyber Pakhtunkhwa

do - you . 16/01/2015  
 DEN  
 Mko SE/HR  
 XEN  
 PDA  
 16/01/2017

and other similar parameters should be provided at the time of pre-supply testing. The testing report with all basic parameters should also be provided at the time of pre-supply testing. The motor shall be manufactured in compliance with National Electrical Manufacturer Association (NEMA) standards. The motor shall be three-phase submersible and shall be capable of operating at rated voltage of 380 Volts at 50 Hz. The motor should be capable of operating with variable speed through V/F control. Winding of the motor shall of rewind able type with class – IC40 insulation and IP68 protection. The synchronous speed should be 2850-2950 RPM. Motor shall be capable of operating in well water with temperature normally start from 40°C. Motor should be designed for continuous operation. Motor must be filled with water without any chemical additives hazards to health for cooling. The motor must be properly protected against the entry of well water sand etc by double mechanical seal one is rotating and other stationary and must be made of Silicon carbide/ Tungsten carbide and must be protected with sand protection guards. All supports shall be high grade cast iron and stator outer side jacket body should be in stainless steel in AISI 304. The excessive pressure due to heating up of the filled water must be compensated by a pressure equalizing rubber diaphragm in the lower part of the motor. The axial thrust of the pump shall be countered by oscillating sliding block type thrust bearing. The thrust bearing of the motor should be able to bear a download thrust force from the water pump and the upward thrust force produced while starting the water pump. Motor in open well / water tank should be installed with cooling jacket / shroud / sleeve and when motor is installed in bore then installing of cooling jacket is also required. Motor shall be capable of maximum of 20 starts in an hour. Motor efficiency of motors 7.5 HP and above should not be less than 75% at Full Load and Motor Rated Voltage.

**Technical specification of rewind-able wet stators, three phase squirrel cage water filled submersible motor.**

S.No	Components	Specification
1.	Winding	Made of pure electrolyte copper and the winding insulation should be suitable for > 1000 Volts and must full fill resistant tests range.
2.	Stator	Energy efficient low-losses electrical magnetic sheet should be fixed in stainless steel casing. M800 or M600 magnetic sheet are preferable to use.
3.	Rotor	Energy efficient low-losses electrical magnetic sheet fixed with high grade copper bars. M800 or M600 magnetic sheets are preferable to use.
4.	Spline Shaft	AISI 420 stainless steel, flange dimension according to NEMA standard, over size design to ensure stiffness in severs condition.
5.	Shaft bearing	Water lubricated guide/general bearings fixed in upper and lower brackets should be made of metal impregnated carbon.
6.	Lower thrust bearing	Thrust sliding block bearings, self-aligning Mitchell type, should be able withstand <b>20000N</b> axial load
7.	Mechanical Seal (Stationary Rotary)	Silicon carbide or tungsten carbide mechanical seal.
8.	Cooling filling fluid	Water mixed with non-toxic anti-freeze provide cooling and lubrication also protect and prevent inside parts from corrosion
	Degree of protection	IP68
	Insulation Class	Insulation Class B (130°C) NEMA Insulation Class F (155°C) NEMA or above Will be given

**DIRECTOR**  
Agril: Engineering  
Karnal, Tarab.

Executive Engineer  
Water & Sewerage Division  
Karnal

Deputy Secretary (Tech)  
Public Health Dept: Department  
Karnal, Tarab

Handwritten signature

Handwritten signature

Handwritten signature  
16/01/2019

Handwritten signature  
PDA

Handwritten signature  
KARN

Handwritten signature  
SE (HE)

		Preference.
11.	Voltage Tolerance	+6% to -10%
12.	Mounting position	Capable of both Vertical or horizontal Installation
13.	Class	IC40
14.	Maximum Immersion	150 Meters
15.	Starting per hour	20

**21. SUBMERSIBLE FLATE ELECTRIC CABLE (4-Core):**

The Submersible cable (4-Core) should be made of 99.9% copper strands with double PVC insulation for **1000Vac**, should be adequately flexible and environment friendly. Stranded and flexible insulated copper wires and cables must be used for all outdoor and indoor installations. The wiring that leads into the building shall be protected in a conduit. The cable must have undergone quality tests as per BSS standards. Cable size should be selected so that the Voltage drop Losses in the drop cable should not be more than 2.5%.

Following lab tests are mandatory.

- Conductor resistance test.
- Insulation resistance test.
- Pressure test.
- Spark test.
- Note: The Supplier should provide the quality tests certificates at the time of pre-supply testing and inspection.

**22. COLUMN PIPE:**

The column pipe shall be flanged ERW steel pipes conforming to ASTM designation A-53 with a minimum thickness of **3.6 / 4.0 mm (3.6 mm for pipes upto 2.5" dia and 4 mm for pipes above 2.5" dia)** and shall be painted with corrosion resistance paint of suitable thickness. Flanges thickness of 19-20 mm shall have grooves for cable passage. Each column pipe shall be complete with gaskets, bolts/studs, washers and nuts. All nuts, bolts, and washers shall be made of minimum A2 grade stainless steel.

The column pipe shall be supplied in interchangeable section having an approximate length of 10 feet column pipe shall be flanged perpendicular to the axis of pipe.

Column pipe size should be selected so that the Head Losses in the column pipe should not be more than 5%.

For Reference a table-1 is given below.

HDPE Pipe of  $\geq 0.75$  Inch diameter, SDR 13.6, PE100, conforming to ASTM F-2160 Standard without Joints to be installed/included along with and equal to Column pipe for confirming Water Level testing purpose.

**FEATURES:**

- Manufacturer's pipes should meet international standards like BSEN 10255 & ASTM A 53.
- Dimensional accuracy circularity and plan end cut should be observed,
- Weld strength of pipe and mechanical properties or raw material should be tested as per manufacturing standards.
- Pipes should be NDT tested (Non-destructive – Eddy current)
- Pipes should be hydrostatically pressure as per manufacturing standard.
- Pipes should be gone through straightening process to remove bendiness.

**DIRECTOR**  
Agril: Engineering  
Tarnab, Peshawar

Executive Engineer  
Water Supply Division  
Tarnab, Peshawar

Deputy Secretary (Tech:)  
Public Health Engg. Department  
Khyber Pakhtunkhwa

*Handwritten signatures and dates:*  
 - [Signature] 11/11/2019  
 - [Signature] 16/10/2019  
 - [Signature] DE-4  
 - [Signature] SE (HP)  
 - [Signature] XBR

**23. TOPSET:**

Top set shall comprise of Bore covers plate, (covering bore hole completely and securely), installation/suspension clamps (2-Nos), sluice valve (BSS/ASTM), reflex valve (BSS/ASTM), Washout Valve approx. 3-4 feet above the ground (T-Connection For Testing Pump's discharge), connector and cable jointing material (Cable connection from motor to switching device shall be joint free), Liquid Filled Pressure gauge minimum 4 Inch diameter suitable / appropriate for the required head pressure and cable ties. Bore Cover Plate should have provision for water level testing facility (i.e: Hole for Sonic Water Level Meter / HDPE Pipe insertion)

For Cleaning of solar Panels, Plastic pressure pipe should be provided of suitable length to reach the furthest / last Solar Panel.

Every Water Supply Scheme should have a non-removable name plate fitted at suitable place / box having essential information and bearing the name of supplier, Consultant and client.

**24. SOLAR PUMP INVERTER / CONTROLLER:**

- a. The solar pump inverter/controller should have built-in advance version of Auto MPPT controller, over load protection, Soft start/Soft Stop Features and Variable Frequency Drive (VFD) with integrated Gate Bipolar Transistors (IGBTs) of European, USA or Japanese origin or atleast equivalent.
- b. The make and origin of the inverter/controller should be clearly mentioned in the catalog and submitted in the technical proposal.
- c. The inverter offered should comply to or Equivalent standards:
  - i. CE/RoHS
  - ii. Low Voltage Directive 2014/35/EU
  - iii. EMC Directive 2014/30/EU
  - iv. IEC 62109-1 (Safety of Power Converters for use in PV Systems)
- d. The complete datasheet showing all the electrical parameters like input & output voltage ranges should be provided in the technical bid.
- e. All the electrical parameters like input & output voltage ranges, and efficiency should be provided at the time of pre-supply testing and inspection.
- f. Efficiency of inverter should be 96% and above at Rated Capacity.
- g. Efficiency of MPPT should be 98% and above.
- h. The inverter < 25kW ingress protection of inverter must be minimum IP 65 Rating or above and for inverter ≥ 25kW ingress protection of inverter / enclosure will be minimum IP 54 Rating or above.
- i. Inverter / Controller having the capability to run both on AC and DC Power would be given preference.
- j. Inverter should have at least three (3) years product and performance warranty.
- k. The Pump Controller/Inverter should have an ON/OFF Switch/Button to Start and Stop the Pump.
- l. Inverter should have active RS232/485 etc communication port available, the Data available through this port can be used for Remote Monitoring.
- m. Inverter circuit must include protection against:
  - i. Over or Low voltages and currents beyond critical level of the inverters circuits.
  - ii. Protection against accidental short circuits & reverse polarity connections.
  - iii. Protection against lightning induced transients.
  - iv. Over load protection.
  - v. Low RPM Protection (i.e: Frequency < 30 Hz or as per pump characteristic curve) Motor Should Stop.
  - vi. Dry run protection. (PF / Current Based).

**DIRECTOR**  
Agril: Engineering  
Tarnab, Peshawar

Deputy Secretary (Technical)  
Public Health Engg. Department  
Khyber Pakhtunkhwa

*Handwritten signatures and dates:*  
 - 16/01/2019  
 - 16/01/2019  
 - PDA  
 - NSCA  
 - SEC (HO)  
 - 16/01/2019

**25. dV/dT or Sine Filters With Inverter (VFD):**

- a. The use of load reactors increases the reliability, performance, and efficiency of VFD systems, extends the life of both drives and motors, and reduces the amount of energy consumed by the motor/drive system.
- b. Output dV/dT or Sine Filters (between VFD and Motor) of appropriate size (for 3-phase ≥380Vac Motor of Class B Insulation) should be used where the cable length between motor and inverter is more than Fifty (50) Feet or as advised / recommended by the inverter manufacturer in their Technical Documentation. For Cable lengths of more than 150 meters sine filters should be used.
- c. Filter should be enclosed in a vented box.
- d. Filter Efficiency should be minimum 97%.
- e. Filter should have a current rating of equal or greater than Motor FLA Rated Current.
- f. Distance between filter and pumping inverter should not be more than 2 meters.
- g. Motors with Insulation Class F, H or above are exempted from the requirement of dV/dT Filter.

**26. SYSTEM DESIGN FOR PUMPING SYSTEM:**

- a. Suitable factor of safety should be applied while designing the system in order to have compensations for variations in irradianations.
- b. For Fix Structure and Auto Tracker, the PV panel **peak power at STC (Wp) should be 75% more** than the Motor basic input power (**PV Loss Compensation Factor = 1.75**).
- c. For Auto /Manual Tracker, the PV panel **peak power at STC (Wp) should be 50% more** than the Motor basic input power (**PV Loss Compensation Factor = 1.5**) as per direction of Engineer Incharge
- d. If Single Axis Auto Tracker Structure is installed on the above factor, then daily operational timings of pumping can be increased by 10-20%, as compared to fixed structure installation.

e. Total PV Power (Wp) (Imperial Gallons) =  $\frac{Q \text{ (IGPH)} * TDH \text{ (ft)} * 746 * PV \text{ Loss Factor}}{60 * \eta_{\text{pump}} * \eta_{\text{motor}}}$

f. Total PV Power (Wp) (US-Gallons) =  $\frac{Q \text{ (US-GPH)} * TDH \text{ (ft)} * 746 * PV \text{ Loss Factor}}{60 * \eta_{\text{pump}} * \eta_{\text{motor}}}$

g. Total PV Power (Wp) (Metric Units) =  $\frac{Q \text{ (m}^3\text{/hr)} * TDH \text{ (m)} * 9.81 * 1000 * PV \text{ Loss Factor}}{3600 * \eta_{\text{pump}} * \eta_{\text{motor}}}$

- h. Voltage (V<sub>mp</sub>) of Each String of PV Panels should be as per details given below and String Voltage (V<sub>mp</sub>) should be within the MPPT range of Inverter.

For 380 Vac 3-Phase Motor = 380 \* 1.414 \* 1.06 = 570 Vdc String, minimum

For 220 Vac 3-Phase Motor = 220 \* 1.414 = 310 Vdc String.

Small Inverters (i.e: 3-Phase, 220 Vac) with voltage boost function are exempted from the above string voltage requirements. String can made as per boost Inverter Controller recommended String DC Voltage and should not be less than 230Vdc in any case.

- i. Details of each PV Panel string should be submitted in Technical proposal (i.e: Nos of total strings and Nos of PV panels in each string along with wattage and V<sub>mp</sub> of each PV panel).

Unjustified Oversizing in PV Panels Wattage is not allowed.

To avoid any oversizing, all commercially available PV Panels should be considered.

**DIRECTOR**  
Agril: Engineering  
KPK Tarnab, Peshawar

Deputy Secretary (Tech.)  
Public Health Engg. Department  
Khyber Pakhtunkhwa

*Signature*  
16/10/2019

*Signature*

*Signature*  
16/10/2019

*Signature*  
PDA

*Signature*  
XEN

*Signature*  
SE/HB

*Signature*  
XEN



- l. Solar Pump Inverter should have a kW capacity equal or greater than the Motor Rated Input Power.
- m. Solar Pump Inverter / Controller Size (kW)  $\geq$  (Motor Rated Power in kW / Motor Efficiency).
- n. Solar Pump Inverter / Controller should have a current rating of 1.15 Times (minimum) of Motor FLA Rated Current.
- o. Motor should not be loaded more than 90%. (i.e: Design / Calculated BHP should not be more than 90% of Motor Rated Horse Power)
- p. Along with this specification, contractors should also follow manufacturer's recommendations for all major components of Solar Pumping System.
- q. Requirement of Efficiency for Motor i.e. 75% will not apply on Motors smaller than or equal to 5.5HP and the requirement of efficiency for pump i.e. 70% will not apply on pumps having discharge equal to or lower than 3000 GPH.

**27. PRESSURE PUMPS (UPTO 5.5 HP):**

- a. Submersible pump conforming to ISO-9906 Standard.
- b. Pump + AC Motor (3-Phase-220V/380V) or DC Motor and Pump with Display Unit.
- c. Solar pump inverter/controller should be MPPT based and Minimum Ingress Protection of IP65.
- d. In case, where the column pipe diameter is less than or equal to 1.5-inch (For discharge equal or less than 6000 LPH and/or for Motor 4 HP and below), HDPE pipe of at least PN12 / SDR 13.6 / PE100 (For TDH of equal or less than 300 ft) without joint may be used instead of MS pipe for better economics and to avoid hydraulic losses. However stainless steel rope of minimum diameter of 6 mm (28 mm<sup>2</sup>) for suspension of pump-set must be supplied with HDPE pipe. (Note: For TDH of more than 300 ft, HDPE Pipe type / thickness may be increased/changed accordingly)
- e. Top set shall comprise of Suitable Galvanized stand (Design should be verified from Engineer In-Charge before start of work)
- f. For Pressure Pumps  $\leq$  5.5 HP schemes, Solar Module efficiency requirement is minimum 16%. (Only for Cut Cells PV Modules or Cell Size of 5 Inches PV Modules).
- g. Connection to overhead water storage tank. Top bend, S.S Fasteners & Erection clamps.
- h. Civil work to protect borehole i/e foundation.
- i. The pump should operate safely with Sand particles up to (50) gram/m<sup>3</sup>.

**28. DC SOLAR WATER PUMP-SETS (UPTO 5.5 HP)**

- a. DC Motor can also be provided for Equal or less than 5.5 HP.
- b. Motor should be capable of both AC and DC operation. There must be auto power source recognition feature.
- c. The motor should be brushless, permanent magnet type.
- d. The Controller must have a display Unit, showing all essential parameters (i.e: Current, Voltage etc).
- e. The Controller must be of MPPT type. MPPT efficiency should be equal or more than 98% Pump should have auto and soft start / stop feature.
- f. The pump-set should have following protections
  1. Dry Running Protection
  2. Reverse Polarity Protection
  3. Over phase protection
  4. Over Head Protection
  5. Lose Phase Protection
  6. Electronic Protection
  7. Over Current/ Overload Protection

**DIRECTORY**  
 Agri: Engineers  
 KPK Tarnab, Peshawar

*[Signature]*  
 Director  
 Public Health Engineering Department  
 Peshawar

*[Signature]*  
 16/10/2019

Deputy Secretary (Tech.)  
 Public Health Engg. Department  
 Khyber Pakhtunkhwa

*[Signature]* 16/10/2019

*[Signature]*  
 16/10/2019  
 KEN  
 SE (HR)

*[Signature]*

*[Signature]*

*[Signature]*  
 16/10/2019

*[Signature]*  
 PDA

*[Signature]*  
 KEN

**29. SOLAR AUTO TRACKER:**

- a. The solar tracker offered should be fully automatic and intelligent, and must be capable of Single axis tracking (from east to West) and should have its own power supply (PV Panel, Battery and Charge Controllers) other than PV Panel used for Pumping Setup.
- b. Individual Auto-Tracker should be  $\geq 4$  kW each and Tracking Accuracy should be within  $\pm 5^\circ$ .
- c. The auto Tracker should also have manual control mode to adjust the tracking angle manually. Structure Material Should be Hot Dipped Galvanized Steel (Minimum 80 Microns).
- d. All nuts, bolts, washers and other fasteners for mounting structure shall be made of minimum A2 grade stainless steel.
- e. Foundation and other details will be separately provided.
- f. Three years Comprehensive Free Replacement, Repair and maintenance Warranty (Free of Cost) should be provided for all the components of auto Tracker (including Batteries).

**30. PV MOUNTING FRAME WITH MANUAL TRAKERING :**

Suitable for 2.5 or 3.5 KW PV Panels easily movable in multi directions having flanges with bearing balls  $\frac{1}{2}$ " and having angle adjustment. Base steel cage  $\frac{3}{4}$ ", MS rod 3.5 feet length with nut-bolts system for strong anchoring. Pillar pipe 6 mm with 5.5" dia, base plate 15"x15"x1/2" size with 04 numbers of supports. Support for PV, 5 mm thickness 4" dia pipe and 24"x12"x 1/4" side plates. MS Angle side bracing 2"x 2" x  $\frac{1}{4}$ ". MS Angle frame 2"x 2" x  $\frac{1}{4}$ " for panel mounting. Steel structures/frames shall be powder coated. Galvanized nuts, bolts and washers for tracker fitting. Steel frame shall be properly designed and shall withstand wind speed/load of at least 130 km/hr and tough weather condition.

**31. PRE-SUPPLY TESTING & INSPECTION:**

The firm applying for the tender has to provide the recent test bed reports from the pump/motor manufacturer or any other third party as per ISO-9906 standard. Each of the offered pump set models must undergo these test prior to supply and installation, In order to ensure the quality and standard of the equipment contractor may be asked to provide test result conducted by third party for re-verification.

**32. OPERATION AND MAINTENANCE MANUAL:**

An Operation and Maintenance Manual, in English and Urdu language, should be prepared and provided by the contractor with the solar PV pumping system. The Manual should have information about solar energy, photovoltaic, modules, DC/AC motor pump set, tracking system (if any), mounting structures, electronics and switches. It should also have clear instructions about mounting of PV module, DO's and DONT's and on regular maintenance and Trouble Shooting of the pumping system. Name and address of the person or Centre to be contacted in case of failure or complaint should also be provided.

STANDARD CONTRACT FORM FOR THE GOVERNMENT OF KP



Deputy Secretary (Tech.)  
Public Health Engg. Department  
Khyber Pakhtunkhwa



**DIRECTOR**  
Agriculture Engineering  
KPK Tarnab, Peshawar



Provincial Engineer  
Muzak Chitral District  
Peshawar

Page 16 of 24







16/01/2019



PDA



XEN

**C- SPECIFICATIONS FOR SOLAR HOMES & BUILDING SYSTEMS.**

**33. GRID TIE INVERTER (ON-Grid without battery backup / Hybrid with battery backup)**

1. UL-1741 Certified or IEC 62109-1 and IEC 62109-2 or Equivalent Certificates.
2. Minimum 95% Conversion Efficiency at Rated Capacity (High Frequency Inverters).
3. Minimum 87% Efficiency for Transformer based inverters (Low frequency Inverters).
4. The inverter should have built-in MPPT controller
5. The Priority of the inverter should be set that load will be running from the solar energy then Grid and in the end will be running from the Battery Backup.
6. Inverter (Hybrid Only) must be capable of configuring for Charging GEL, Lead Carbon, OPzV/OPzS Batteries and Lithium Iron Phosphate batteries (LiFePO4).
7. Hybrid Inverter (If Quoted along with Lithium Batteries) must be capable of communication with the BMS of Lithium Batteries.
8. Rated output voltage of inverter / Controller shall be pure sine wave AC.
9. Total harmonic distortion (THD) in AC output should not exceed 3% at rated capacity.
10. The degree of protection of the ON-Grid Inverter Installation should be IP-65 rated and for indoor Hybrid Inverter installation, the IP rating should be IP-20 or above.
11. Wide input voltage range capability. (i.e: Voltage Range can be adjustable / selectable)
12. Natural convection cooling for maximum reliability
13. Outdoor enclosure for unrestricted use under any environmental conditions
14. Capability to connect external sensors for monitoring environmental conditions.
15. The output of the inverter must synchronize automatically its AC output to the exact AC voltage and frequency of the grid.
16. The Inverter should have the capability of Parallel operation upto three units. (Only For projects, where more than one inverter should be installed).
17. Inverter should have active RS232/485 etc communication port, the Data available through this port can be used for Remote Monitoring.
18. Liquid crystal display should at least be provided on the inverters front panel or on separate data logging/display device to display following
  - a. DC Input Voltage
  - b. DC Input current
  - c. AC Power output (kW)
  - d. Current time and date
  - e. Temperatures (C)
  - f. Converter status
19. Inverter circuit must include protection against:
  - Over or Low voltages and currents beyond critical level of the inverters circuits.
  - Protection against accidental short circuits.
  - Protection against lightning induced transients.
  - Over load protection.

**34. OFF-GRID / HYBRID INVERTER:**

1. The Inverter must be pure sine wave output suitable for 220 Volt, 50 Hz.
2. Inverter must be capable of configuring for Charging GEL, Lead Carbon, OPzV/OPzS Batteries and Lithium Iron Phosphate batteries (LiFePO4).
3. The Inverter / system must have a MPPT Solar Charge Controller.
4. Minimum 92% Conversion Efficiency at Rated Capacity (High Frequency Inverters).
5. Minimum 87% Efficiency for Transformer based inverters (Low frequency Inverters).
6. Total harmonic distortion (THD) in AC output should not exceed 3% at rated capacity.

**DIRECTOR**  
 Unit: Engineering  
 P.K. Tarnab, Peshawar

*Handwritten signature*  
 Director  
 Peshawar

Deputy Secretary (Tech.)  
 Public Health Engg: Department  
 Khyber Pakhtunkhwa

*Handwritten signatures and dates:*  
 11/11/2019  
 16/01/2019  
 16/01/2017  
 16/01/2017  
 16/01/2017

7. The inverter must be user programmable for selecting PV, Grid and Battery Priority as well as Built-in programmed and user defined voltage and current settings of the charge controller for GEL, Lead Carbon, OPzV/OPzS batteries and Lithium Iron Phosphate batteries (LiFePO4).
8. The Inverter must have Protective function limits for:
  - a. AC under voltage protection
  - b. AC over voltage protection
  - c. Battery under voltage Alarm
  - d. Low Voltage Disconnect
  - e. High Voltage Disconnect
  - f. Overload and Short Circuit Protection
  - g. Over Temperature Protection
9. The inverter must be ISO 9001, ISO 14001 and CE Certified.
10. The inverter must have IEC 62109-1 and IEC 62109-2, or Equivalent Certificates.
11. The degree of protection of the outdoor inverter Installation should be IP-55 rated and for indoor Inverter installation, the IP rating should be IP-20 or above.
12. Wide input voltage range capability.
13. Inverter should have active RS232/485 etc communication port, the Data available through this port can be used for Remote Monitoring.
14. Inverter (If Quoted along with Lithium Batteries) must be capable of communication with the BMS of Lithium Batteries.

**Note:**

- Product Brochure, Catalog and certificates must be attached with the Technical Bid.

STANDARDIZATION COMMITTEE GOVERNMENT OF KP

Page 18 of 24

*(Signature)*  
Deputy Secretary (Technical)  
Public Health Engineering Department  
(Chamber Peshawar)

*(Signature)*  
DIRECTOR  
Agril: Engineering  
PK Tarnab, Peshawar

*(Signature)*  
16/01/2019

*(Signature)*  
16/01/2019

*(Signature)*  
XEN

*(Signature)*  
SE HA

*(Signature)*  
XEN

*(Signature)*  
PDA

*(Signature)*  
XEN

**D - SPECIFICATIONS FOR SOLAR STREET LIGHTS****35. SOLAR STREET / ROAD LIGHT SYSTEM DESIGN:**

- a. Assessment of Wattage of the LED Luminaire, Pole Height, Pole thickness, Pole top diameter, Pole base diameter, Base plate size, Base Plate thickness, Stiffener size, Stiffener thickness, Pole arm design, Pole Arm Length, Pole arm thickness, Pole arm diameter, Pole arm Placement / Fixing position, RCC foundation size, Anchor / J-bolt size, Steel Rebars cage (Mesh) and Number of Poles (Pole to Pole distance) should be according to the design provided / approved by the Engineer In-charge.
- b. Round Conical or Octagonal Hot Dipped Galvanized Pole of average 80 Microns should be installed.
- c. All Nuts, Bolts and Washers should be stainless steel.
- d. Pole base plate should be tightened in between two stainless steel nuts and washers (one nut and washer at upper and one nut and washer at lower side of the base plate).
- e. All Anchor / J-bolt shall be in level and align to each other.
- f. All Anchor / J-bolt shall be galvanized.
- g. All Anchor / J-bolt shall have at least 150 mm minimum threads.
- h. All poles shall be installed on levelling nuts secured to the anchor bolts and with locking nuts on the top of the base flange.
- i. The concrete ratio should be 1:2:4 for RCC foundation.
- j. Proper sketches of Pole, base plate, RCC Foundation and Steel Rebars cage (Mesh) should be provided and approved from Engineer In-charge.
- k. In order to focus on winter sun availability and Easy cleaning of Solar panel from dust etc with Rain water, Solar Panels should be installed at 180° Azimuth Angle and the Tilt angle (slope) of PV Module should be between  $45^{\circ} \pm 5^{\circ}$  (Only for Solar Street Lights).

**36. LED SOLAR ROAD/STREET LIGHT FIXTURE:**

1. LED Efficacy must be greater than or equal to 130 Lumens/Watt.
2. The fixture must be IP-66 Rated or above.
3. The Color temperature of the LED should be Pure white in the range of 5000-6000 K.
4. The LED Light distribution must be IESNA Type-II
5. The LED must be suitable for working Temperature from  $-40 \sim + 60^{\circ}\text{C}$  with relative humidity of  $15\% \sim 90\%$
6. The Color rendering Index (CRI) must be equal or greater than 70.
7. The LED Light Fixture must be LM79 and LM80 Tested.
8. LEDs/Light fixtures should not be Chip-on-board (COB) single chip type due to their poor heat dissipation.
9. LEDs/Light fixtures shall be modular type with proper heat sinks.
10. The output from the LEDs/Light fixtures should be constant throughout the duty cycle
11. LED Life should be greater or equal to than 50,000 Hours.
12. The LED Light Fixture must have the following certification:
  - ISO 9001
  - ISO 14001
  - CE (EMC and LVD) Certified or equivalent.
  - International standard Certifications

**Note: Product Brochure, Catalog and certificates must be attached with the Technical Bid**

Deputy Secretary (Tech:)  
Public Health Engg. Department  
Khyber Pakhtunkhwa

DIRECTOR  
Agril. Engineering  
KPK Tarnab, Peshawar

Page 19 of 24

16/01/2019

16/01/2019

16/01/2019

16/01/2019

16/01/2019

**37. SOLAR CHARGE CONTROLLER (FOR STREET / ROAD LIGHTS):**

- a. The charge controller must be suitable for the required battery voltage, auto voltage recognition feature and capable of charging OPzV & Lithium Ferrous Phosphate (LiFePO4) Batteries
- b. The charge controller must be IP-67 rated or above for outdoor installation
- c. The charge controller must be Remote Controlled for parameter setting. The system must have the following feature:
  - Remote Parameter Setting and Monitoring
  - Remote control of the Lights (on/off, timer setting etc.)
- d. The charge controller must have MPPT Technology
- e. The charge controller must have at-least three stage Flexible dimming function (0-100%).
- f. The Maximum power point tracking (MPPT) efficiency should be minimum 97%.
- g. It must have temperature compensation for charging batteries in higher temperatures.
- h. Charge controller must have the following protections:
  - PV Short circuit
  - PV reverse polarity
  - PV over voltage
  - PV over current
  - Battery over charging
  - Battery over discharging
  - Battery reverse polarity protection
  - Load short circuit
  - Load overload protections
- i. It must have proper heat sink to dissipate excessive heat
- j. The charge controller must have protection for reverse flow of current through the PV modules
- k. Controller should have active port for GSM based communication for Remote Monitoring.
- l. Mid Night based timing controller will be preferred.
- m. The Solar Charge controller must have the following certification:
  - ISO 9001
  - CE Certified

**Note: Product Brochure, Catalog and certificates must be attached with the Technical Bid**

**38. Battery and Controller Box:**

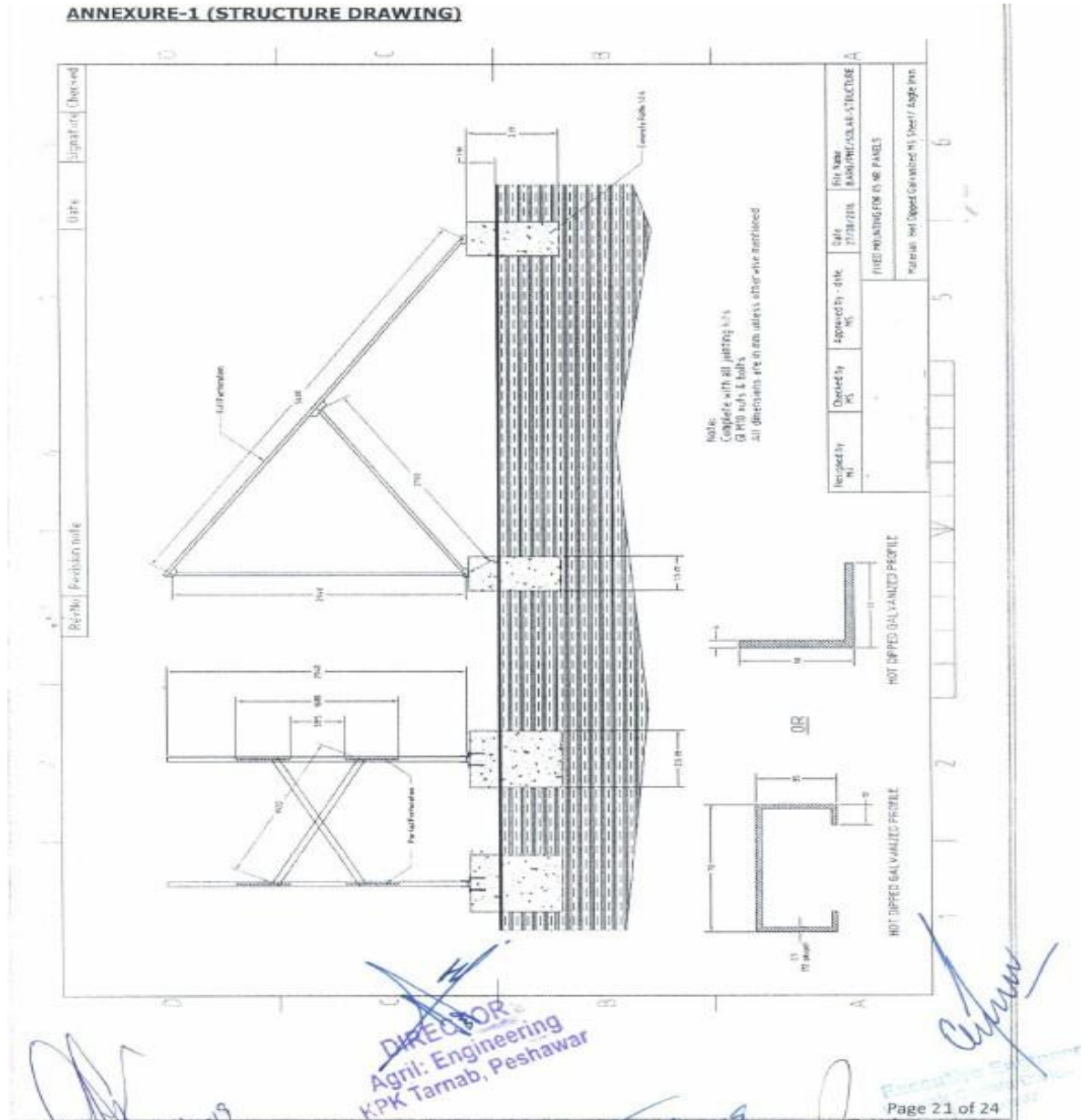
- a. The battery box should be made of Hot Dipped Galvanized Sheet of average 80 Microns.
- b. The battery box must have vented compartment having inverted louvers.
- c. For Pole Mounted batteries Battery boxes must be made of minimum 16 SWG sheet and must have proper locking arrangement for protection against theft.
- d. For underground battery installation, the battery box should be made of minimum 16 SWG sheet and should be properly sealed to ensure protection against water. Proper cable glands and packing material should be used to ensure water proofing of the box.
- e. The battery and Controller Box should be at least IP65 ingress protection.

**39. Electric Cable:**

The specifications of Electric cables are as under:

- a. Flexible copper cable of proper size along with MC-4 connectors (TUV Approved) from solar panel to charge controller and charge controller to battery as well as to light fixtures.
- b. The cables should be made of minimum 99.9% Pure copper cable

Handwritten signatures and stamps are present at the bottom of the page. A stamp reads: **DIRECTOR**, Agri. Engineering, Faisalabad, Peshawar. A date stamp reads: 16/01/2019. Other signatures include 'Secretary (Tech:)' and 'SECH (H)'.



**DIRECTOR**  
Agril: Engineering  
KPK Tarnab, Peshawar

Deputy Secretary (Tech.)  
Public Health Engg. Department  
(Gyber Pakhtunkhwa)

11/11/2019

hi-pen. (14/16/01/2019)

16/01/2019

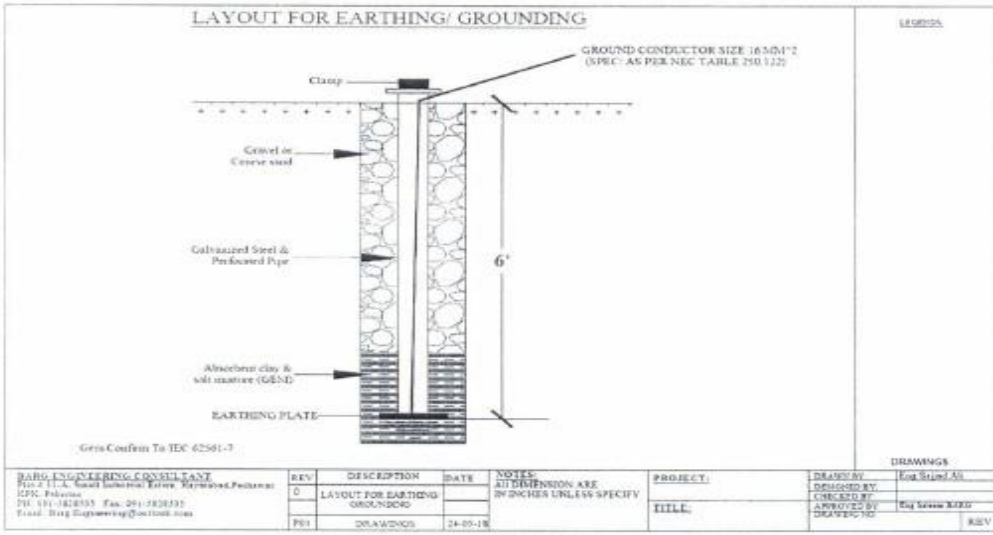
16/01/2019

SE/HA

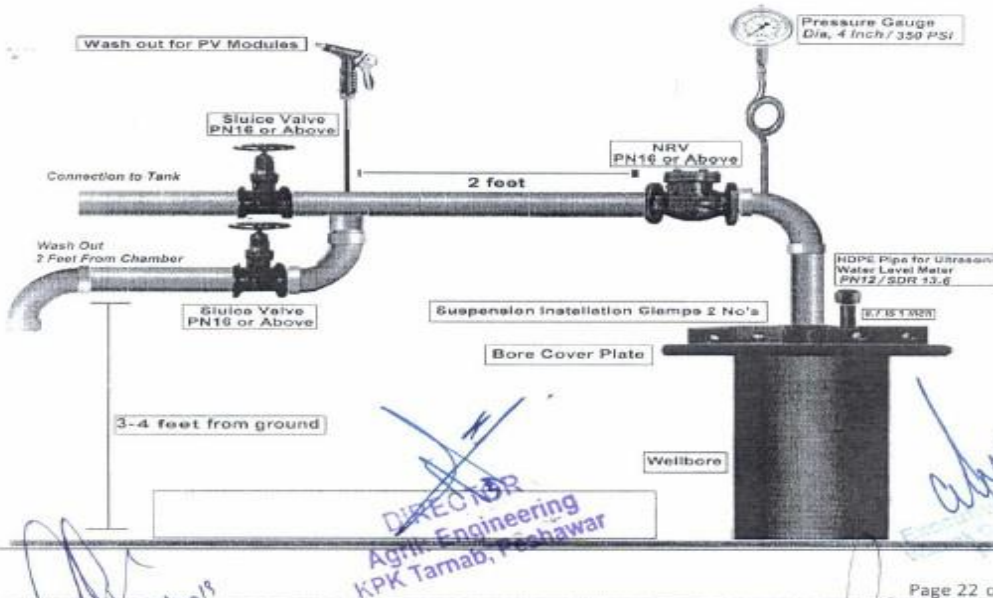
XEN.

Page 21 of 24

**ANNEXURE-2 (EARTHING / GROUNDING DRAWING)**



**ANNEXURE-3 TOPSET LAYOUT:**



Deputy Secretary (Tech)  
Public Health Engg. Deptt.  
Khyber Pakhtunkhwa

*Jan - Jan (16/01/2019)*

*DA*

*Samuel...*

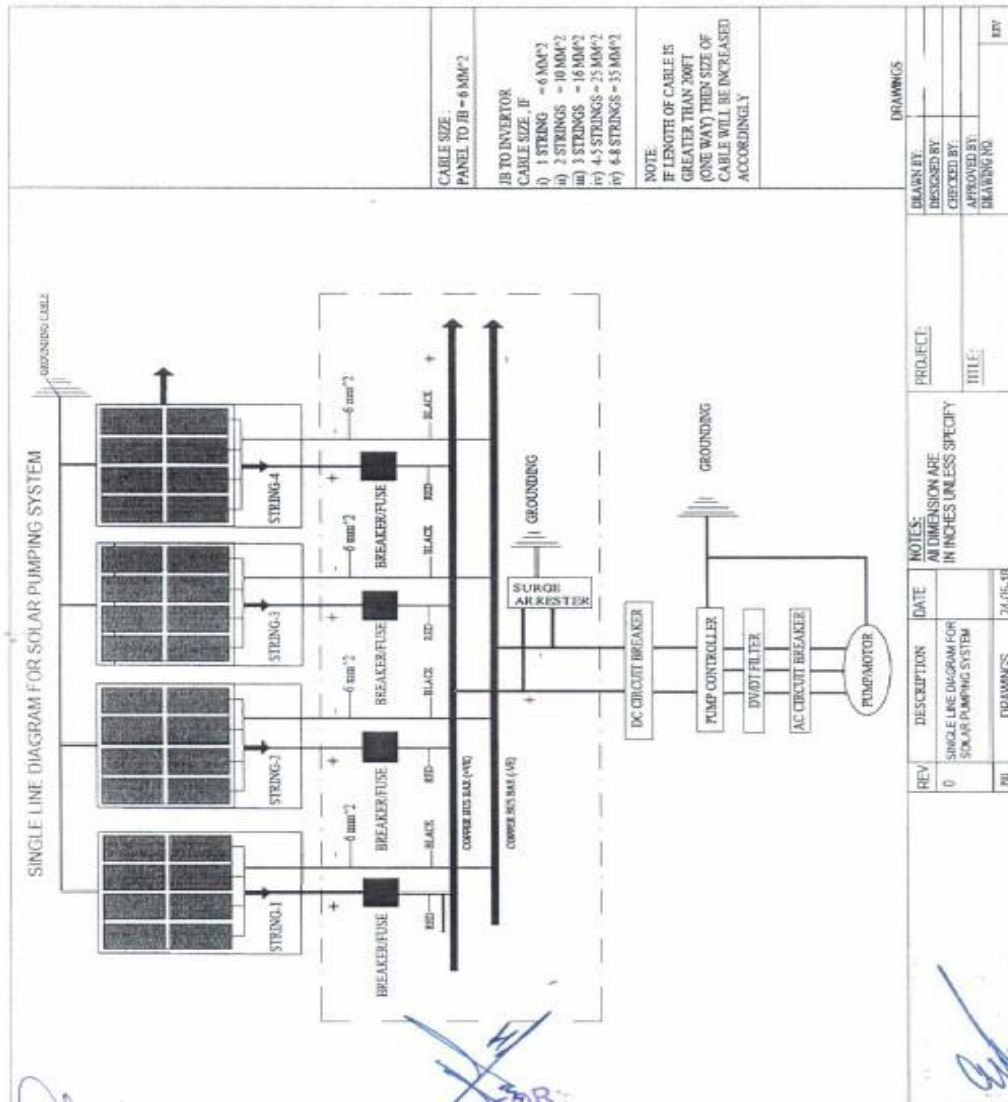
*AD DE H*

*MSK SE (HB)*

*XEN*



ANNEXURE-4 (SYSTEM SINGLE LINE DIAGRAM-PUMPING)



CABLE SIZE:  
 PANEL TO JB - 6 MM<sup>2</sup>

JB TO INVERTOR  
 CABLE SIZE - IF  
 (i) 1 STRING - 6 MM<sup>2</sup>  
 (ii) 2 STRINGS - 10 MM<sup>2</sup>  
 (iii) 3 STRINGS - 16 MM<sup>2</sup>  
 (iv) 4 STRINGS - 25 MM<sup>2</sup>  
 (v) 4.5 STRINGS - 35 MM<sup>2</sup>

NOTE:  
 IF LENGTH OF CABLE IS  
 GREATER THAN 200FT  
 (ONE WAY) THEN SIZE OF  
 CABLE WILL BE INCREASED  
 ACCORDINGLY

DESIGNED BY:	PROJECT:		
CHECKED BY:	TITLE:		
APPROVED BY:			
DRAWING NO.			
REV	DESCRIPTION	DATE	NOTES: ALL DIMENSION ARE IN INCHES UNLESS SPECIFY
0	SINGLE LINE DIAGRAM FOR SOLAR PUMPING SYSTEM		
PH	DRAWINGS	24-05-18	

**DIRECTOR**  
 Agril: Engineering  
 F.P.K Tarnab, Peshawar

*Signature* 16/01/2019

Deputy Secretary (Tech.)  
 Public Health Engg. Department  
 Chyber Pakhtunkhwa

*Signature*

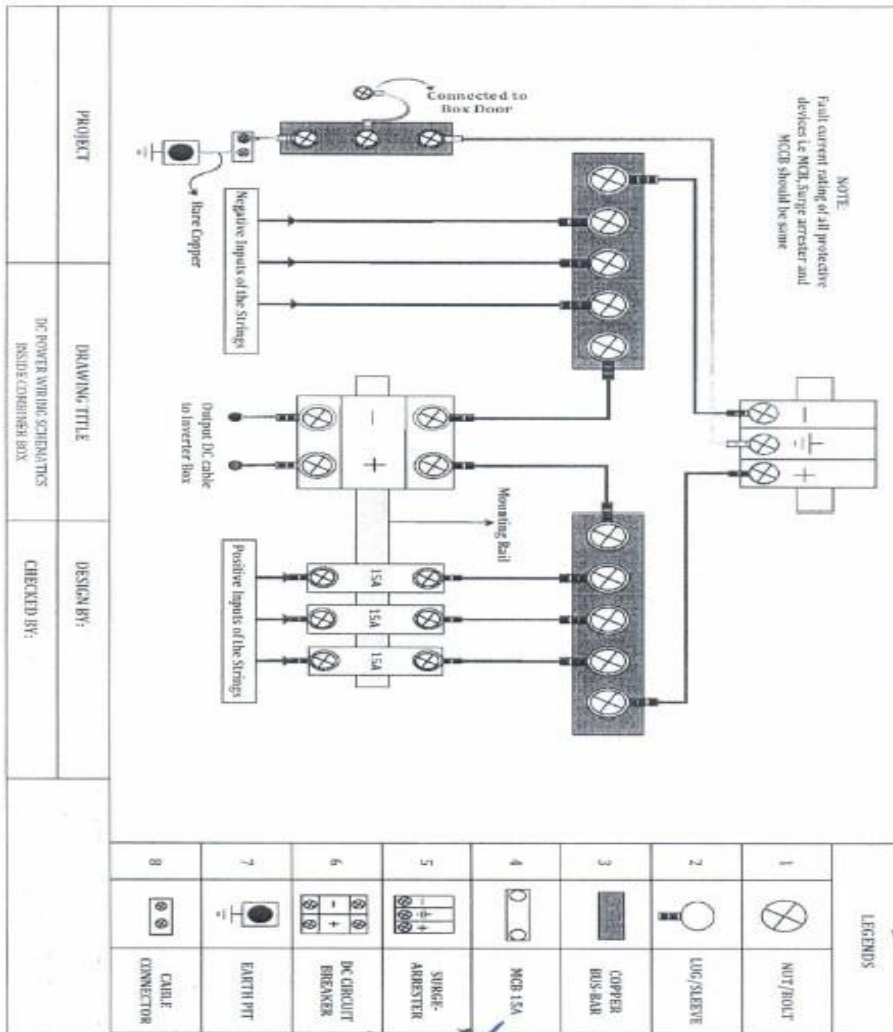
*Signature* 16/01/2019

*Signature*

*Signature*

Page 23 of 24

**ANNEXURE-5  
(JUNCTION/COMBINER BOX SCHEMATIC DIAGRAM)**



011

PROJECT	DRAWING TITLE	DESIGN BY:
	DC POWER WIRING SCHEMATICS INSIDE COMBINER BOX	CHECKED BY:

LEGENDS	
1	NUT/BOLT
2	LUG/SLEEVE
3	COPPER BUS BAR
4	MCB 15A
5	SURGE-ARRESTER
6	DC CIRCUIT BREAKER
7	EARTH PTT
8	CABLE CONNECTOR

ST

Deputy Secretary (Tech:)  
Public Health Engg. Department  
Mhyber Pakhtunkhwa

**DIRECTOR**  
Agric. Engineering  
KPK Tamab, Peshawar

16/01/2017

Page 14 of 24

205

202

16/01/2017

16/01/2017

16/01/2017

16/01/2017

SECRET